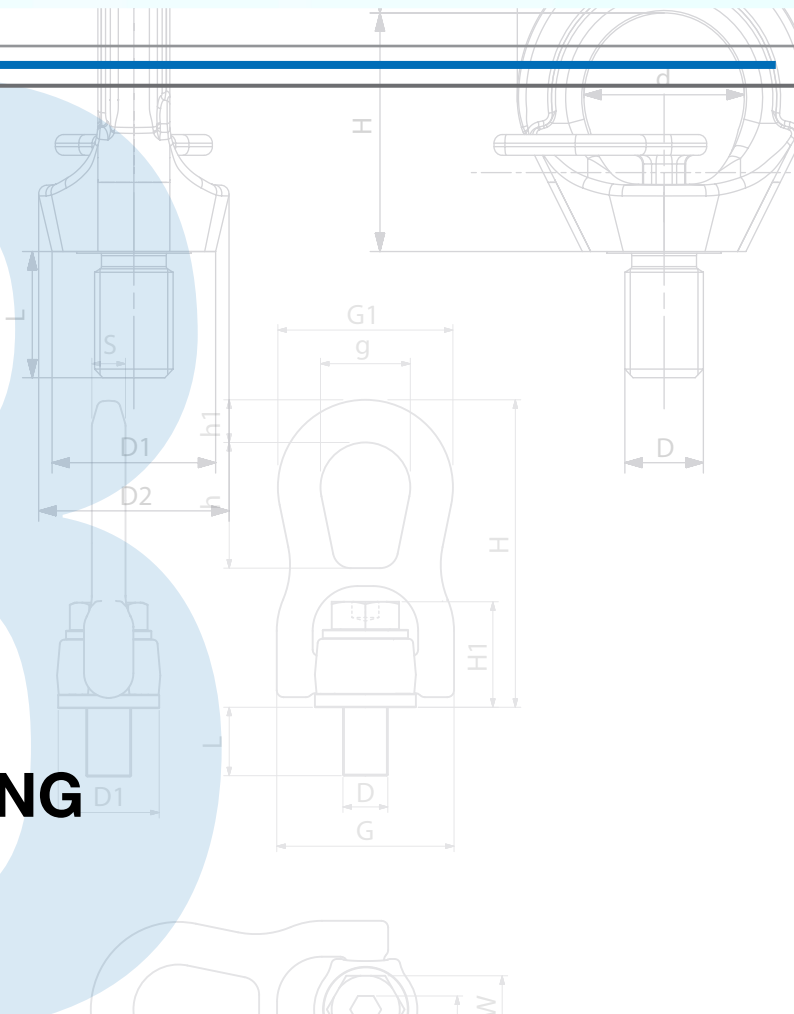




18

LIFTING





Swivel eyebolts with ring
page 18.1



Swivel eyebolts
page 18.5



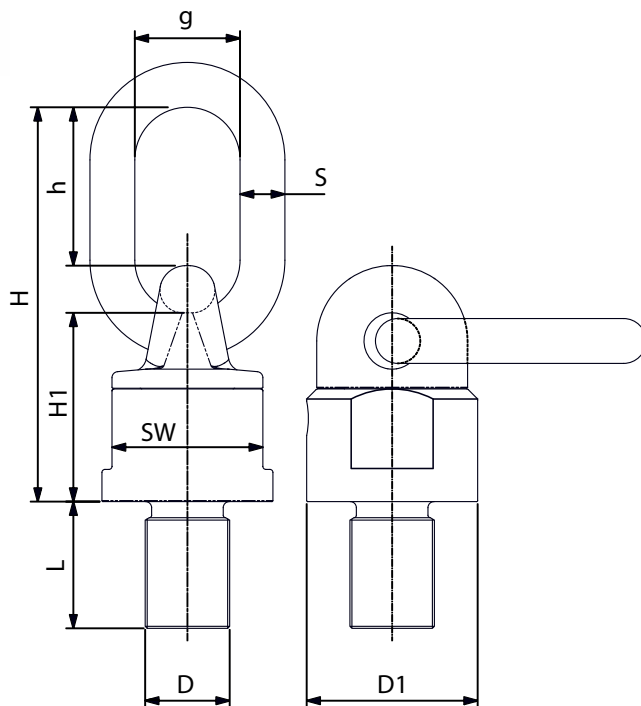
Swivel eyebolts with bracket
page 18.7



Swivel eyebolts with joint
page 18.9



Polyester lifting slings
page 18.11



MATERIAL - FINISH

GR80 (Steel) powder coated red RAL 3000

ADJUSTABILITY

360° rotation with self-aligning ring that tilts to 180°

SAFETY FACTOR

4:1

OPERATING TEMPERATURE

-40°C ÷ 200°C

CERTIFICATION

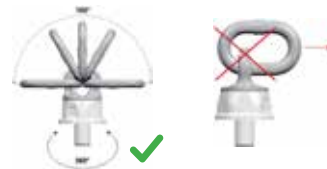
CE marking according to the Machinery Directive 2006/42/EC
GS-OA 15-04 - EN1677
DGUV certification

TEST

Magnaflux 100%
Load 100%
20.000 work cycles

USE

Assembled with spheres and particularly suited to facilitate adjustment and tilting of the load.



Warning:

the device is not suited to continuous rotary movement with a full load.

NOTES

All eyebolts are marked with the operating load, the thread measurement, the steel grade, CE, and the batch tracing code.
Available with other threading and shaft length.

Code	D	L	W.L.L. (t)	D1	H	H1	h	g	S	SW	Weight (Kg)	Package (pcs)
CT80008016030	M8	16	0,3	38	105	50	46	30	13	30	0,48	1
CT80010018030	M10	18	0,3	38	105	50	46	30	13	30	0,48	1
CT80012018050	M12	18	0,5	38	105	50	46	30	13	30	0,5	1
CT80012025050	M12	25	0,5	38	105	50	46	30	13	30	0,5	1
CT80016020110	M16	20	1,12	38	105	50	46	30	13	30	0,53	1
CT80016030110	M16	30	1,12	38	105	50	46	30	13	30	0,53	1
CT80020030110	M20	30	1,12	38	105	50	46	30	13	30	0,53	1
CT80020030200	M20	30	2	50	131	61	57	34	16	40	1,05	1
CT80024030310	M24	30	3,15	58	153	68	70	40	18	48	1,63	1
CT80030035530	M30	35	5,3	75	165	80	65	45	22	65	2,23	1
CT80030045530	M30	45	5,3	75	165	80	65	45	22	65	2,23	1
CT80030035800	M30	35	8	85	205	95	95	50	23	75	5,3	1
CT80030045800	M30	45	8	85	205	95	95	50	23	75	5,3	1
CT80036054800	M36	54	8	85	205	95	95	50	23	75	5,5	1
CT80042063100	M42	63	10	85	205	95	95	50	23	75	10	1
CT80048060150	M48	60	15	120	280	130	120	70	32	95	10	1
CT80056078150	M56	78	15	120	280	130	120	70	32	95	10	1
CT80064096150	M64	96	15	120	280	130	120	70	32	95	10	1
CT80072108250	M72	108	25	170	338	165	130	90	45	140	29	1
CT80080120300	M80	120	30	170	338	165	130	90	45	140	29	1
CT80090135350	M90	135	35	170	338	165	130	90	45	140	29	1



MATERIAL - FINISH

GR80 (Steel) powder coated red RAL 3000

ADJUSTABILITY

360° rotation with self-aligning ring that tilts to 180°

SAFETY FACTOR

4:1

OPERATING TEMPERATURE

-40°C ÷ 200°C

CERTIFICATION

CE marking according to the Machinery Directive 2006/42/EC

GS-OA 15-04 - EN1677

DGUV certification

TEST

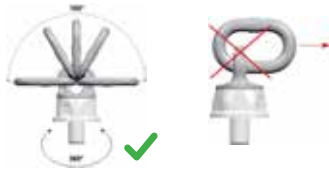
Magnaflux 100%

Load 100%

20.000 work cycles

USE

Assembled with spheres and particularly suited to facilitate adjustment and tilting of the load.



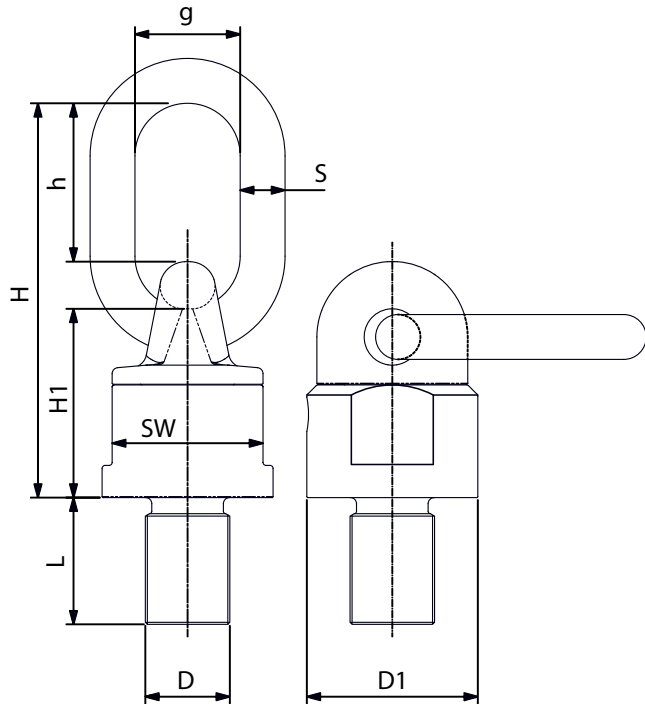
Warning:

the device is not suited to continuous rotary movement with a full load.

NOTES

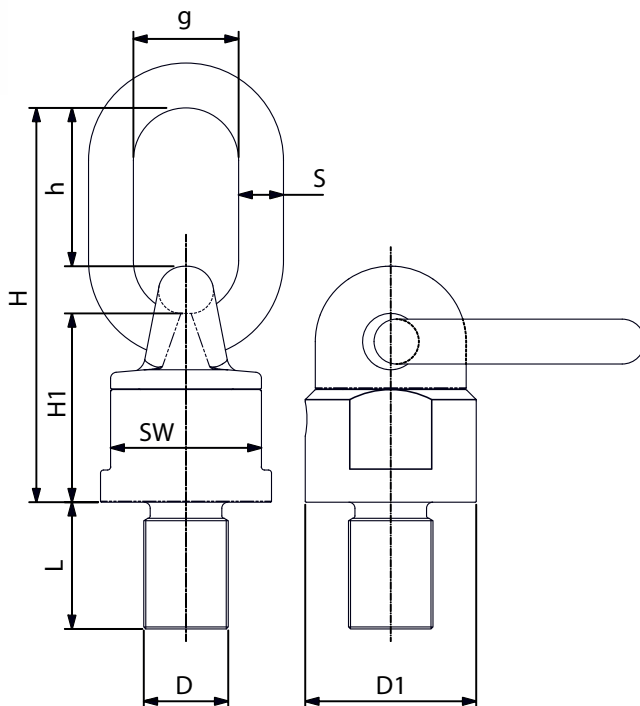
All eyebolts are marked with the operating load, the thread measurement, the steel grade, CE, and the batch tracing code.

Available with other threading and shaft length.



Working load limit W.L.L. (t)

Code	D x L	0°		90°		0° - 45°		45° - 60°		Asymm.		Max tightening torque (Nm)
		1 arm	2 arms	1 arm	2 arms	2 arms	2 arms	Asymm.	3 - 4 arms	Asymm.		
CT80008016030	M8 x 16	1	1	0,3	1	0,42	0,3	0,3	0,6	0,45	0,3	16
CT80010018030	M10 x 18	1	1	0,3	1	0,42	0,3	0,3	0,6	0,45	0,3	16
CT80012018050	M12 x 18	1	2	0,5	1	0,75	0,5	0,5	1,1	0,75	0,5	28
CT80012025050	M12 x 25	1	2	0,5	1	0,75	0,5	0,5	1,1	0,75	0,5	28
CT80016020110	M16 x 20	2	4	1,12	2	1,5	1,12	1,12	2,36	1,6	1,12	70
CT80016030110	M16 x 30	2	4	1,12	2	1,5	1,12	1,12	2,36	1,6	1,12	70
CT80020030110	M20 x 30	2	4	1,12	2	1,5	1,12	1,12	2,36	1,6	1,12	135
CT80020030200	M20 x 30	4	8	2	4	2,8	2	2	4	3	2	135
CT80024030310	M24 x 30	6,3	12,5	3,2	6,3	4,3	3,2	3,2	6,3	5	3,2	230
CT80030035530	M30 x 35	10,6	21,2	5,3	10,6	7,1	5,3	5,3	11,2	8	5,3	465
CT80030045530	M30 x 45	10,6	21,2	5,3	10,6	7,1	5,3	5,3	11,2	8	5,3	465
CT80030035800	M30 x 35	12,5	25	8	16	11,2	8	8	16,8	12	8	465
CT80030045800	M30 x 45	12,5	25	8	16	11,2	8	8	16,8	12	8	465
CT80036054800	M36 x 54	12,5	25	8	16	11,2	8	8	16,8	12	8	814
CT80042063100	M42 x 63	15	30	10	20	14	10	10	21,2	15	10	1.304
CT80048060150	M48 x 60	25	50	15	30	21	15	15	31,5	22,5	15	1.981
CT80056078150	M56 x 78	25	50	15	30	21	15	15	31,5	22,5	15	3.000
CT80064096150	M64 x 96	25	50	15	30	21	15	15	31,5	22,5	15	4.738
CT80072108250	M72 x 108	35	70	25	50	35	25	25	52,5	37,5	25	6.913
CT80080120300	M80 x 120	35	70	30	60	42	30	30	63	45	30	9.625
CT80090135350	M90 x 135	35	70	35	70	49	35	35	73,5	52,5	35	14.000



MATERIAL - FINISH

GR100 (Steel) powder coated red RAL 3022

ADJUSTABILITY

360° rotation with self-aligning ring that tilts to 180°

SAFETY FACTOR

4:1

OPERATING TEMPERATURE

-40°C ÷ 200°C

CERTIFICATION

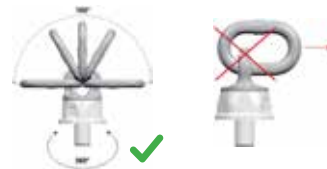
CE marking according to the Machinery Directive 2006/42/EC
GS-OA 15-04 - EN1677
DGUV certification

TEST

Magnaflux 100%
Load 100%
20.000 work cycles

USE

Assembled with spheres and particularly suited to facilitate adjustment and tilting of the load.



Warning:

the device is not suited to continuous rotary movement with a full load.

NOTES

All eyebolts are marked with the operating load, the thread measurement, the steel grade, CE, and the batch tracing code.
Available with other threading and shaft length.

Code	D	L	W.L.L. (t)	D1	H	H1	h	g	S	SW	Weight (Kg)	Package (pcs)
CT800X1001805	M10	18	0,5	38	105	50	46	30	13	30	0,48	1
CT800X1201807	M12	18	0,7	38	105	50	46	30	13	30	0,5	1
CT800X1402010	M14	20	1	38	105	50	46	30	13	30	0,53	1
CT800X1602014	M16	20	1,4	38	105	50	46	30	13	30	0,53	1
CT800X2003017	M20	30	1,7	38	105	50	46	30	13	30	0,53	1
CT800X2003025	M20	30	2,5	50	131	61	57	34	16	40	1,05	1
CT800X2403017	M24	30	1,7	38	105	50	46	30	13	30	0,53	1
CT800X2403040	M24	30	4	58	153	68	70	40	18	48	1,63	1
CT800X3003540	M30	35	4	58	153	68	70	40	18	48	1,63	1
CT800X3003567	M30	35	6,7	80	156	71	65	45	22	70	2,85	1
CT800X3004580	M30	45	8	90	200	86	91	50	23	80	4,4	1
CT800X3605410	M36	54	10	90	200	86	91	50	23	80	4,4	1
CT800X4206312	M42	63	12,5	90	200	86	91	50	23	80	5,2	1
CT800X4506012	M45	60	12,5	90	200	86	91	50	23	80	5,2	1
CT800X4506016	M45	60	16	120	262	112	120	70	32	100	10,9	1
CT800X4806017	M48	60	17	120	262	112	120	70	32	100	10,9	1
CT800X4807212	M48	72	12,5	90	200	86	91	50	23	80	5,2	1
CT800X5607818	M56	78	18	120	262	112	120	70	32	100	10,9	1
CT800X6409628	M64	96	28	170	333	165	124	90	45	140	29	1
CT800X7210831	M72	108	31,5	170	333	165	124	90	45	140	29	1
CT800X8012035	M80	120	35	170	333	165	124	90	45	140	29	1
CT800X9013540	M90	135	40	170	333	165	124	90	45	140	29	1



MATERIAL - FINISH

GR100 (Steel) powder coated red RAL 3022

ADJUSTABILITY

360° rotation with self-aligning ring that tilts to 180°

SAFETY FACTOR

4:1

OPERATING TEMPERATURE

-40°C ÷ 200°C

CERTIFICATION

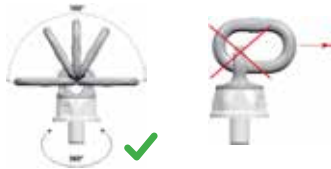
CE marking according to the Machinery Directive 2006/42/EC
GS-OA 15-04 - EN1677
DGUV certification

TEST

Magnaflux 100%
Load 100%
20.000 work cycles

USE

Assembled with spheres and particularly suited to facilitate adjustment and tilting of the load.

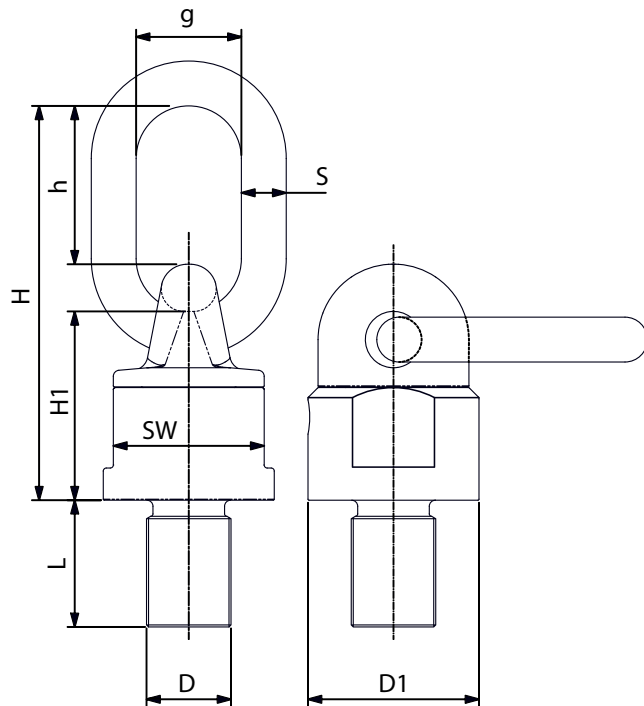


Warning:

the device is not suited to continuous rotary movement with a full load.

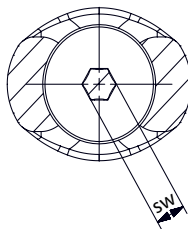
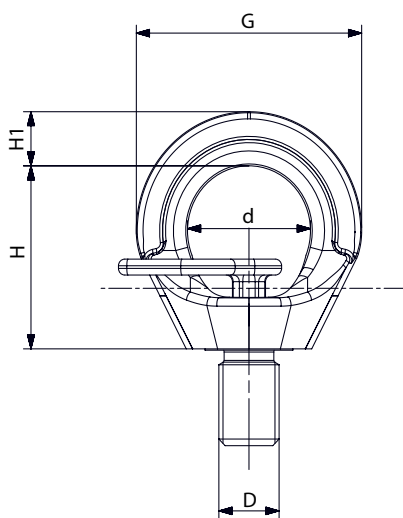
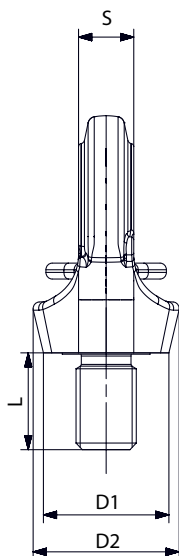
NOTES

All eyebolts are marked with the operating load, the thread measurement, the steel grade, CE, and the batch tracing code.
Available with other threading and shaft length.



Working load limit W.L.L (t)

Code	D x L	G		G		G		G		G		Max tightening torque (Nm)
		0° 1 arm	0° 2 arms	90° 1 arm	90° 2 arms	0° - 45° 2 arms	45° - 60° 2 arms	Asymm.	0° - 45° 3 - 4 arms	45° - 60° 3 - 4 arms	Asymm.	
CT800X1001805	M10 x 18	1	2	0,5	1	0,75	0,5	0,5	1	0,75	0,5	16
CT800X1201807	M12 x 18	1,4	2,4	0,7	1,4	1	0,7	0,7	1,4	1	0,7	28
CT800X1402010	M14 x 20	2	4	1	2	1,4	1	1	2,1	1,5	1	46
CT800X1602014	M16 x 20	2,8	5,6	1,4	2,8	2	1,4	1,4	3	2,1	1,4	70
CT800X2003017	M20 x 30	3,4	6,8	1,7	3,4	2,4	1,7	1,7	3,6	2,5	1,7	135
CT800X2003025	M20 x 30	5	10	2,5	5	3,5	2,5	2,5	5,3	3,7	2,5	135
CT800X2403017	M24 x 30	3,4	6,8	1,7	3,4	2,4	1,7	1,7	3,6	2,5	1,7	135
CT800X2403040	M24 x 30	8	16	4	8	5,6	4	4	8,4	6	4	230
CT800X3003540	M30 x 35	8	16	4	8	5,6	4	4	8,4	6	4	230
CT800X3003567	M30 x 35	12	26,8	6,7	13,4	9,4	6,7	6,7	14	10	6,7	465
CT800X3004580	M30 x 45	12,5	25	8	16	11,2	8	8	16,8	12	8	465
CT800X3605410	M36 x 54	15	30	10	20	14	10	10	21,2	15	10	814
CT800X4206312	M42 x 63	15	34	12,5	25	17,5	12,5	12,5	26,2	18,7	12,5	1.304
CT800X4506012	M45 x 60	15	34	12,5	25	17,5	12,5	12,5	26,2	18,7	12,5	1.304
CT800X4506016	M45 x 60	25	50	16	30	21,2	15	15	31,5	22,4	15	1.670
CT800X4806017	M48 x 60	25	50	17	34	23,5	17	17	35,7	25,5	17	1.981
CT800X4807212	M48 x 72	15	34	12,5	25	17,5	12,5	12,5	26,2	18,7	12,5	1.304
CT800X5607818	M56 x 78	25	50	18	36	25,2	18	18	37	27	18	3.000
CT800X6409628	M64 x 96	32,5	84	28	56	39,2	28	28	58,8	42	28	4.738
CT800X7210831	M72 x 108	50	100	31,5	63	44,1	31,5	31,5	66,2	47,2	31,5	6.913
CT800X8012035	M80 x 120	50	100	35	70	49	35	35	73,5	52,5	35	9.625
CT800X9013540	M90 x 135	50	100	40	80	56	40	40	85	60	40	14.000



MATERIAL - FINISH

Body: GR100 (Steel) powder coated red RAL 3022
Screw: Cl 10.9 Burnished (steel)

ADJUSTABILITY

Rotation at 360°

SAFETY FACTOR

4:1

OPERATING TEMPERATURE

-40°C ÷ 200°C

CERTIFICATION

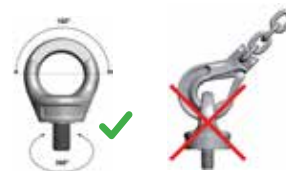
CE marking according to the Machinery Directive 2006/42/EC
GS-OA 15-04 - EN1677
DGUV certification

TEST

Magnaflux 100%
Load 100%
20.000 work cycles

USE

Its properties allow self-alignment toward the angle of rope/chain pulling, ensuring much safer lifting than classic DIN eyebolts.



Warning:

the device is not suited to rotation with a full load.

NOTES

All eyebolts are marked with the operating load, the thread measurement, the steel grade, CE, and the batch tracing code.
Available with other threading and shaft length.

Code without key	Code with key	D	L	W.L.L. (t)	D1	D2	H	H1	G	d	S	sw	Weight (Kg)	Package (pcs)
CT807XHT00800	CT807XCHT0800	M8	12	0,3	25,5	30	33,7	10	46	25	9,8	12	0,12	1
CT807XHT01000	CT807XCHT1000	M10	15	0,4	25,5	30	33,7	10	46	25	9,8	15	0,12	1
CT807XHT01200	CT807XCHT1200	M12	18	0,75	30,6	36,5	41,5	12,5	55,5	30	11,5	18	0,2	1
CT807XHT01400	CT807XCHT1400	M14	18	0,75	30,6	36,5	41,5	12,5	55,5	30	11,5	18	0,2	1
CT807XHT01600	CT807XCHT1600	M16	24	1,5	36,5	42	49,5	14,5	64,5	35	15,7	24	0,35	1
CT807XHT01800	CT807XCHT1800	M18	24	1,5	36,5	42	49,5	14,5	64,5	35	15,7	24	0,35	1
CT807XHT02000	CT807XCHT2000	M20	30	2,3	42	52,5	58	16	74,5	40	18	30	0,6	1
CT807XHT02200	CT807XCHT2200	M22	30	2,3	42	52,5	58	16	74,5	40	18	30	0,6	1
CT807XHT02400	CT807XCHT2400	M24	36	3,2	50	61	69	20,5	90	49	22	36	1	1
CT807XHT02700	CT807XCHT2700	M27	36	3,2	50	61	69	20,5	90	49	22	36	1	1
CT807XHT03000	CT807XCHT3000	M30	45	4,5	66	75	86	25,5	111	60	28	45	2	1
CT807XHT03300	CT807XCHT3300	M33	45	4,5	66	75	86	25,5	111	60	28	45	2	1
CT807XHT03600	CT807XCHT3600	M36	54	7	77	96,5	105	32	135	74	30	55	3,4	1
CT807XHT04200	CT807XCHT4200	M42	63	9	87	110	118	38	158	82	37	65	5,7	1
CT807XHT04800	CT807XCHT4800	M48	72	12	102	124,5	137	43	180	95	38	72	8,5	1



MATERIAL - FINISH

Body: GR100 (Steel) powder coated red RAL 3022

Screw: Cl 10.9 Burnished (steel)

ADJUSTABILITY

Rotation at 360°

SAFETY FACTOR

4:1

OPERATING TEMPERATURE

-40°C ÷ 200°C

CERTIFICATION

CE marking according to the Machinery Directive 2006/42/EC

GS-OA 15-04 - EN1677

DGUV certification

TEST

Magnaflux 100%

Load 100%

20.000 work cycles

USE

Its properties allow self-alignment toward the angle of rope/chain pulling, ensuring much safer lifting than classic DIN eyebolts.



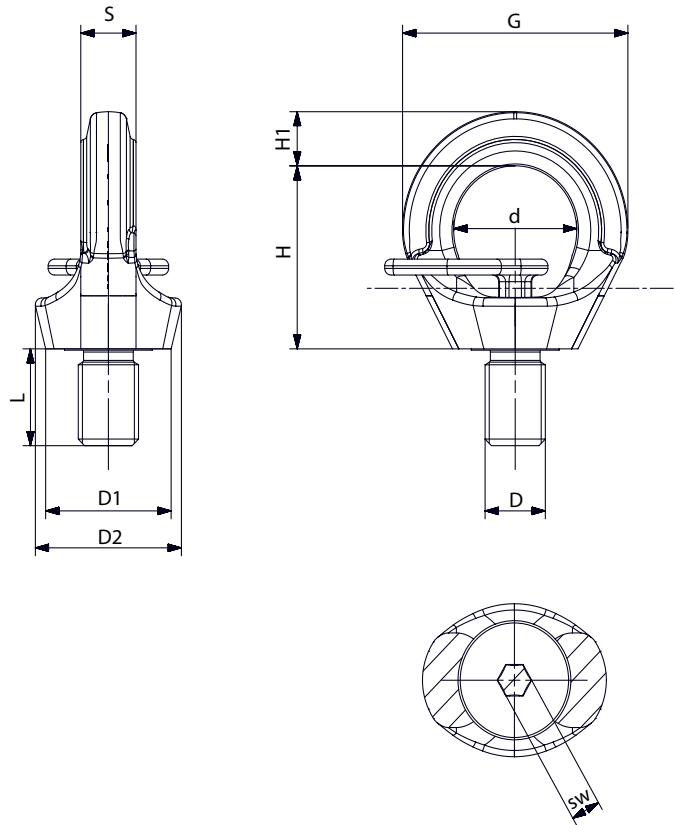
Warning:

the device is not suited to rotation with a full load.

NOTES

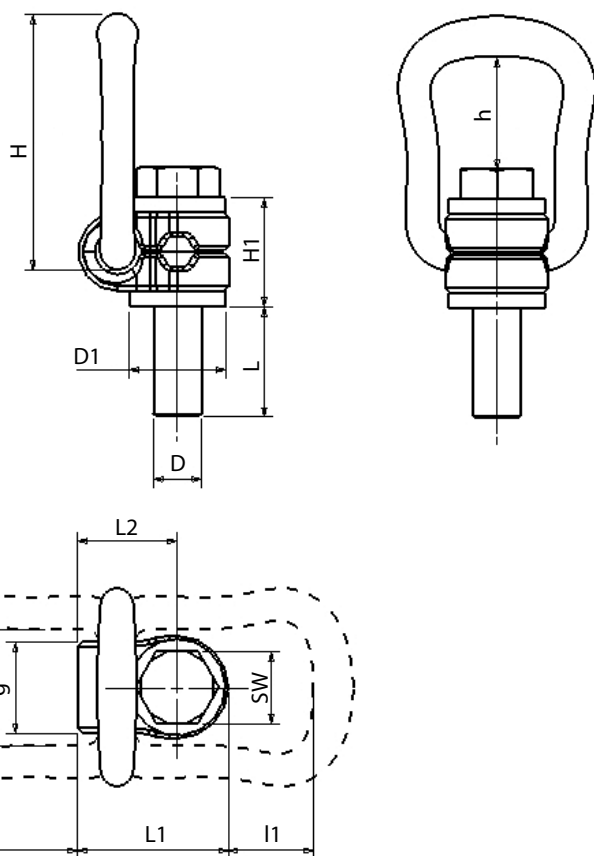
All eyebolts are marked with the operating load, the thread measurement, the steel grade, CE, and the batch tracing code.

Available with other threading and shaft length.



Working load limit W.L.L (t)

Code without key	Code with key	D x L	0°		90°		0° - 45°		45° - 60°		Asymm.		Max tightening torque (Nm)
			G		G		G		G		G		
			1 arm	2 arms	1 arm	2 arms	2 arms		3 - 4 arms				
CT807XHT00800	CT807XCHT0800	M8 x 12	1	2	0,3	0,6	0,42	0,3	0,3	0,63	0,45	0,3	8
CT807XHT01000	CT807XCHT1000	M10 x 15	1	2	0,4	0,8	0,56	0,4	0,4	0,84	0,6	0,4	16
CT807XHT01200	CT807XCHT1200	M12 x 18	2	4	0,75	1,5	1	0,75	0,75	1,6	1,12	0,75	25
CT807XHT01400	CT807XCHT1400	M14 x 18	2	4	0,75	1,5	1	0,75	0,75	1,6	1,12	0,75	30
CT807XHT01600	CT807XCHT1600	M16 x 24	4	8	1,5	3	2	1,5	1,5	3,15	2,25	1,5	60
CT807XHT01800	CT807XCHT1800	M18 x 24	4	8	1,5	3	2	1,5	1,5	3,15	2,25	1,5	70
CT807XHT02000	CT807XCHT2000	M20 x 30	6	12	2,3	4,6	3,22	2,3	2,3	4,83	3,45	2,3	110
CT807XHT02200	CT807XCHT2200	M22 x 30	6	12	2,3	4,6	3,22	2,3	2,3	4,83	3,45	2,3	120
CT807XHT02400	CT807XCHT2400	M24 x 36	8	16	3,2	6,4	4,48	3,2	3,2	6,7	4,8	3,2	195
CT807XHT02700	CT807XCHT2700	M27 x 36	8	16	3,2	6,4	4,48	3,2	3,2	6,7	4,8	3,2	240
CT807XHT03000	CT807XCHT3000	M30 x 45	12	24	4,5	9	6,3	4,5	4,5	9,4	6,7	4,5	320
CT807XHT03300	CT807XCHT3300	M33 x 45	12	24	4,5	9	6,3	4,5	4,5	9,4	6,7	4,5	350
CT807XHT03600	CT807XCHT3600	M36 x 54	16	32	7	14	9,8	7	7	14,7	10,5	7	585
CT807XHT04200	CT807XCHT4200	M42 x 63	24	48	9	18	12,6	9	9	18,9	13,5	9	920
CT807XHT04800	CT807XCHT4800	M48 x 72	32	64	12	24	16,8	12	12	25,2	18	12	1.590



MATERIAL - SURFACE TREATMENT

Body: GR100 (Steel) powder coated red RAL 3022
Screw: Cl 10.9 (Steel) GEOMET

ADJUSTABILITY

360° rotation with ring that tilts to 45°

SAFETY FACTOR

4:1

OPERATING TEMPERATURE

-40°C ÷ 200°C

CERTIFICATION

CE marking according to the Machinery Directive 2006/42/EC
GS-OA 15-04 - EN1677
DGUV certification

TEST

Magnaflux 100%
Load 100%
20.000 work cycles

USE

Particularly suitable for lifting at 90°.



Warning:

the device is not suited to rotation with a full load.

NOTES

All eyebolts are marked with the operating load, the thread measurement, the steel grade, CE, and the batch tracing code.
Available with other threading and shaft length.

Code	D	L	W.L.L. (t)	D1	H	H1	L1	L2	I	I1	G	g	g1	h	S	SW	Weight (Kg)	Package (pcs)
CT806X0800000	M8	15	0,3	25	78	30	41	26,5	51	35	57	24	34	43	10	13	0,275	1
CT806X1000000	M10	15	0,63	25	78	30	41	26,5	51	35	57	24	34	42	10	17	0,29	1
CT806X1200000	M12	23	1	32	85	36	50	33,0	52	28	66	30	38	40	14	19	0,5	1
CT806X1600000	M16	24	1,5	32	85	36	50	33,0	52	28	66	30	38	38	14	24	0,51	1
CT806X2000000	M20	31	2,5	45	111	44	68	42,5	71	36	87	48	55	54	16	30	1,25	1
CT806X2400000	M24	37	4	45	111	44	68	42,5	71	36	87	48	55	51	16	36	1,3	1
CT806X2700000	M27	37	4	60	145	63	91	58,5	86	47	109	54	66	64	23	41	3,15	1
CT806X3000000	M30	45	5	60	145	65	91	58,5	86	47	109	54	66	62	23	46	3,25	1
CT806X3607000	M36	50	7	60	145	55	91	58,5	86	43	109	54	66	60	23	55	3,3	1
CT806X3600000	M36	59	8	70	190	81	108	72,5	115	74	136	62	78	88	28	55	5,9	1
CT806X4210000	M42	75	10	70	190	75	108	72,5	115	70	136	62	78	86	28	65	6,5	1
CT806X4200000	M42	63	15	85	242	89	131	87,5	151	97	169	68	97	121	36	65	11,2	1
CT806X4800000	M48	71	20	95	242	89	131	87,5	151	93	169	68	97	117	36	75	11,6	1



MATERIAL - SURFACE TREATMENT

Body: GR100 (Steel) powder coated red RAL 3022

Screw: C1 10.9 (Steel) GEOMET

ADJUSTABILITY

360° rotation with ring that tilts to 45°

SAFETY FACTOR

4:1

OPERATING TEMPERATURE

-40°C ÷ 200°C

CERTIFICATION

CE marking according to the Machinery Directive 2006/42/EC

GS-OA 15-04 - EN1677

DGUV certification

TEST

Magnaflux 100%

Load 100%

20.000 work cycles

USE

Particularly suitable for lifting at 90°.



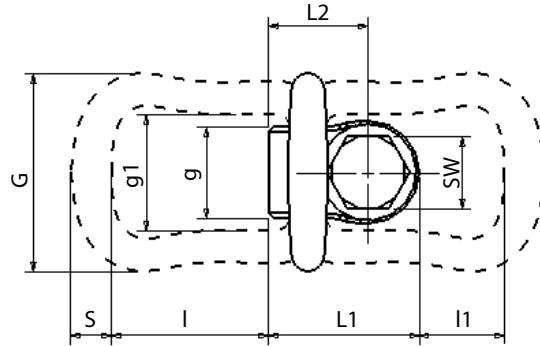
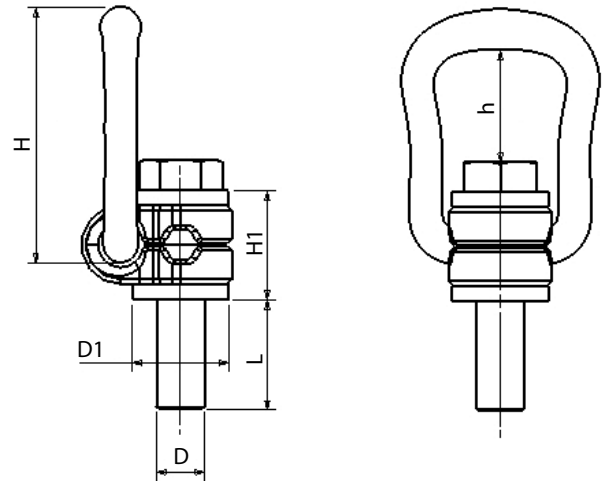
Warning:

the device is not suited to rotation with a full load.

NOTES

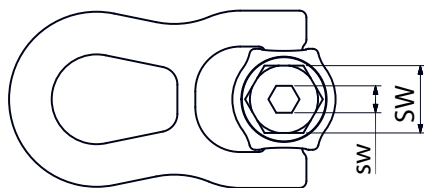
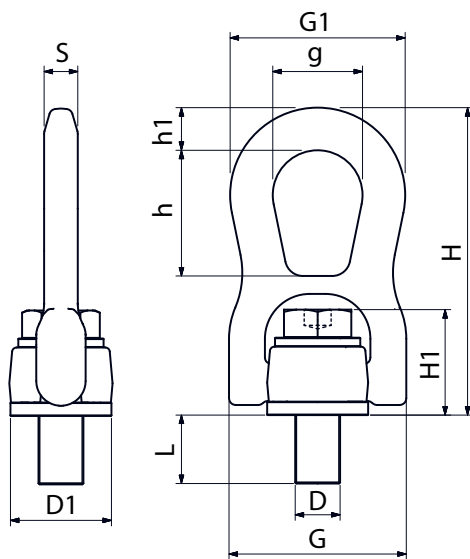
All eyebolts are marked with the operating load, the thread measurement, the steel grade, CE, and the batch tracing code.

Available with other threading and shaft length.



Working load limit W.L.L (t)

Code	D x L	0°		90°		0° - 45°		45° - 60°		Asymm.		Max tightening torque (Nm)
		1 arm	2 arms	1 arm	2 arms	2 arms		3 - 4 arms				
CT806X0800000	M8 x 15	0,3	0,6	0,3	0,6	0,42	0,3	0,3	0,63	0,45	0,3	30
CT806X1000000	M10 x 15	1	1	1	1	1	1	1	1,3	1	1	60
CT806X1200000	M12 x 23	1	2	1	2	1	1	1	2,1	1,5	1	100
CT806X1600000	M16 x 24	2	3	2	3	2	2	2	3,2	2,3	2	150
CT806X2000000	M20 x 31	3	5	3	5	4	3	3	5,3	3,8	3	250
CT806X2400000	M24 x 37	4	8	4	8	6	4	4	8,4	6	4	400
CT806X2700000	M27 x 37	4	8	4	8	6	4	4	8,4	6	4	400
CT806X3000000	M30 x 45	5	10	5	10	7	5	5	10,5	7,5	5	500
CT806X3607000	M36 x 50	7	14	7	14	10	7	7	14,7	10,4	7	700
CT806X3600000	M36 x 59	8	16	8	16	11	8	8	16,8	12	8	800
CT806X4210000	M42 x 75	10	20	10	20	14	10	10	21	15	10	925
CT806X4200000	M42 x 63	15	30	15	30	21	15	15	31,5	22,5	15	1.500
CT806X4800000	M48 x 71	20	40	20	40	28	20	20	42	30	20	2.000



MATERIAL - SURFACE TREATMENT

Body: GR100 (Steel) powder coated red RAL 3022
Screw: CI 10.9 (Steel) GEOMET

ADJUSTABILITY

360° rotation with self-aligning ring that tilts to 180°

SAFETY FACTOR

5:1

OPERATING TEMPERATURE

-40°C ÷ 200°C

CERTIFICATION

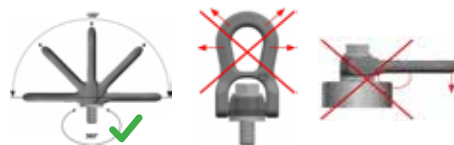
CE marking according to the Machinery Directive 2006/42/EC

TEST

Magnaflux 100%
Load 100%
20.000 work cycles

USE

Reduced footprint due to the lowering of the ring after use.



Warning:

the device is not suited to rotation with a full load

NOTES

All eyebolts are marked with the operating load, the thread measurement, the steel grade, CE, and the batch tracing code.
Available with other threading and shaft length.

Code	D	L	W.L.L. (t)	D1	H	H1	G	G1	g	h	h1	S	sw	SW	Weight (Kg)	Package (pcs)
CT811X0080000	M8	12	0,3	30	99	33,5	55	56	28	40	14	11	5	13	0,375	1
CT811X0100000	M10	15	0,6	30	99	34,5	55	56	28	40	14	11	6	17	0,375	1
CT811X0120000	M12	18	1	30	99	35,5	55	56	28	40	14	11	7	19	0,375	1
CT811X0140000	M14	21	1,3	47	135,5	46	78	74,5	38	55	18	17	7	22	1,3	1
CT811X0160000	M16	25	1,6	47	135,5	46,5	78	74,5	38	55	18	17	10	24	1,3	1
CT811X0180000	M18	27	2	47	135,5	47	78	74,5	38	55	18	17	10	27	1,3	1
CT811X0200000	M20	30	2,5	47	135,5	48	78	74,5	38	55	18	17	12	30	1,3	1
CT811X0220000	M22	33	3	62	198,5	63,5	114,5	106	56	84	25	22	12	32	4	1
CT811X0240000	M24	36	4	62	198,5	64,5	114,5	106	56	84	25	22	14	36	4	1
CT811X0270000	M27	40	5	62	198,5	66,5	114,5	106	56	84	25	22	14	41	4	1
CT811X0300000	M30	45	6,3	62	198,5	68	114,5	106	56	84	25	22	17	46	4	1



MATERIAL - SURFACE TREATMENT

Body: GR100 (Steel) powder coated red RAL 3022

Screw: C1 10.9 (Steel) GEOMET

ADJUSTABILITY

360° rotation with self-aligning ring that tilts to 180°

SAFETY FACTOR

5:1

OPERATING TEMPERATURE

-40°C ÷ 200°C

CERTIFICATION

CE marking according to the Machinery Directive 2006/42/EC

TEST

Magnaflux 100%

Load 100%

20.000 work cycles

USE

Reduced footprint due to the lowering of the ring after use.



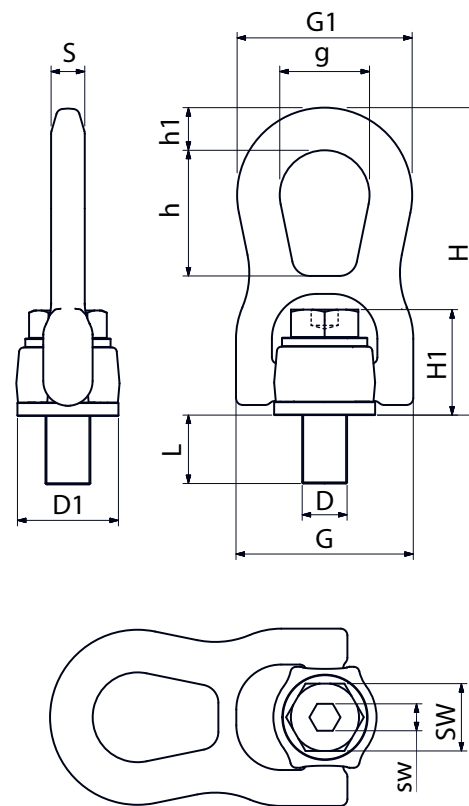
Warning:

the device is not suited to rotation with a full load.

NOTES

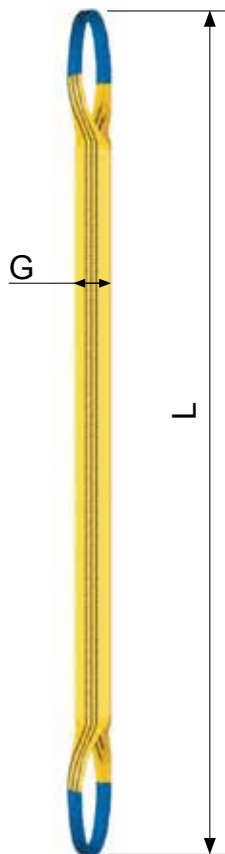
All eyebolts are marked with the operating load, the thread measurement, the steel grade, CE, and the batch tracing code.

Available with other threading and shaft length.



Working load limit W.L.L (t)

Code	D x L	0°		90°		0° - 45°		45° - 60°		Asymm.		Max tightening torque (Nm)
		1 arm	2 arms	1 arm	2 arms	2 arms		3 - 4 arms				
CT811X0080000	M8 x 12	0,5	1	0,3	0,6	0,4	0,3	0,3	0,6	0,45	0,3	10
CT811X0100000	M10 x 15	1	2	0,6	1,2	0,8	0,6	0,6	1,3	0,9	0,6	15
CT811X0120000	M12 x 18	1,3	2,6	1	2	1,4	1	1	2,1	1,5	1	25
CT811X0140000	M14 x 21	2	4	1,3	2,6	1,8	1,3	1,3	2,7	1,9	1,3	30
CT811X0160000	M16 x 25	2,5	5	1,6	3,2	2,2	1,6	1,6	3,4	2,4	1,6	60
CT811X0180000	M18 x 27	3	6	2	4	2,8	2	2	4,2	3	2	100
CT811X0200000	M20 x 30	3,5	7	2,5	5	3,5	2,5	2,5	5,3	3,7	2,5	120
CT811X0220000	M22 x 33	4,5	9	3	6	4,2	3	3	6,3	4,5	3	130
CT811X0240000	M24 x 36	5,5	11	4	8	5,6	4	4	8,4	6	4	200
CT811X0270000	M27 x 40	6,5	13	5	10	7	5	5	10,5	7,5	5	250
CT811X0300000	M30 x 45	7	14	6,3	12,6	8,8	6,3	6,3	13,2	9,4	6,3	350



STANDARD
EN 1492-1

MATERIAL
PES (Polyester)

COLOUR
See table (European standards)

SAFETY FACTOR
7:1

CERTIFICATION
CE marking according to the Machinery Directive 89392 CEE II A

USE



The strap must be used on flat surfaces. In fact, it could become damaged with excessive curvature (example: conventional grills and hooks, etc.).
An optimal contact surface can be calculated as follows:
radius of curvature $\geq 0.75 \times$ strap width.

NOTES

All straps have a label sewn inside the slot indicating the length, capacity in various work positions, and marking.
Available in other lengths.

Code	Colour	G	L	Working load limit W.L.L (t)				Package (pcs)
CTC4101005000	VI Purple	30	500	1	2	1,4	0,8	1
CTC4101010000	VI Purple	30	1.000	1	2	1,4	0,8	1
CTC4101015000	VI Purple	30	1.500	1	2	1,4	0,8	1
CTC4101020000	VI Purple	30	2.000	1	2	1,4	0,8	1
CTC4101025000	VI Purple	30	2.500	1	2	1,4	0,8	1
CTC4101030000	VI Purple	30	3.000	1	2	1,4	0,8	1
CTC4101040000	VI Purple	30	4.000	1	2	1,4	0,8	1
CTC4101050000	VI Purple	30	5.000	1	2	1,4	0,8	1
CTC4101060000	VI Purple	30	6.000	1	2	1,4	0,8	1
CTC4101080000	VI Purple	30	8.000	1	2	1,4	0,8	1
CTC4101100000	VI Purple	30	10.000	1	2	1,4	0,8	1
CTC4101010050	VI Purple	50	1.000	1	2	1,4	0,8	1
CTC4101020050	VI Purple	50	2.000	1	2	1,4	0,8	1
CTC4101030050	VI Purple	50	3.000	1	2	1,4	0,8	1
CTC4101040050	VI Purple	50	4.000	1	2	1,4	0,8	1
CTC4102010000	VE Green	60	1.000	2	4	2,8	1,6	1
CTC4102015000	VE Green	60	1.500	2	4	2,8	1,6	1
CTC4102020000	VE Green	60	2.000	2	4	2,8	1,6	1
CTC4102025000	VE Green	60	2.500	2	4	2,8	1,6	1
CTC4102030000	VE Green	60	3.000	2	4	2,8	1,6	1
CTC4102040000	VE Green	60	4.000	2	4	2,8	1,6	1
CTC4102050000	VE Green	60	5.000	2	4	2,8	1,6	1
CTC4102060000	VE Green	60	6.000	2	4	2,8	1,6	1
CTC4102080000	VE Green	60	8.000	2	4	2,8	1,6	1
CTC4102100000	VE Green	60	10.000	2	4	2,8	1,6	1
CTC4103010000	GI Yellow	90	1.000	3	6	4,2	2,4	1
CTC4103015000	GI Yellow	90	1.500	3	6	4,2	2,4	1
CTC4103020000	GI Yellow	90	2.000	3	6	4,2	2,4	1
CTC4103025000	GI Yellow	90	2.500	3	6	4,2	2,4	1
CTC4103030000	GI Yellow	90	3.000	3	6	4,2	2,4	1
CTC4103040000	GI Yellow	90	4.000	3	6	4,2	2,4	1

STANDARD
EN 1492-1

MATERIAL
PES (Polyester)

COLOUR
See table (European standards)

SAFETY FACTOR
7:1

CERTIFICATION
CE marking according to the Machinery Directive 89392 CEE II A

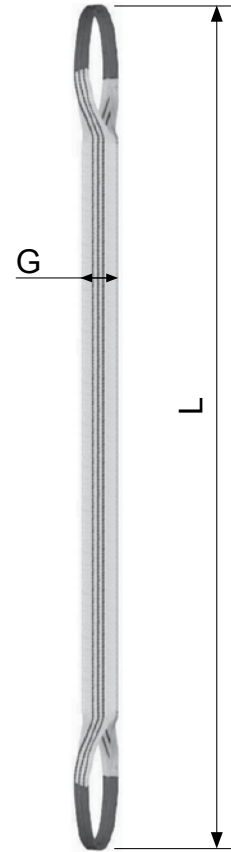
USE



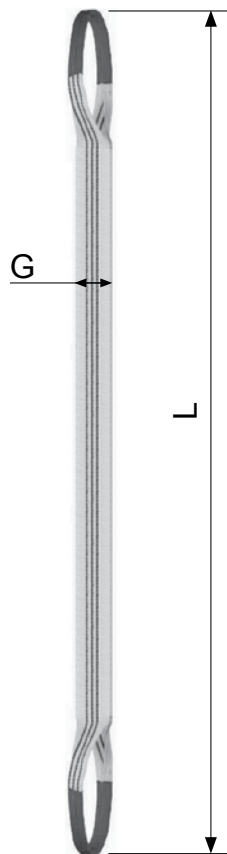
The strap must be used on flat surfaces. In fact, it could become damaged with excessive curvature (example: conventional grills and hooks, etc.).
An optimal contact surface can be calculated as follows:
radius of curvature $\geq 0.75 \times$ strap width.

NOTES

All straps have a label sewn inside the slot indicating the length, capacity in various work positions, and marking.
Available in other lengths.



Code	Colour	G	L	Working load limit W.L.L (t)				Package (pcs)
CTC4103050000	GI Yellow	90	5.000	3	6	4,2	2,4	1
CTC4103060000	GI Yellow	90	6.000	3	6	4,2	2,4	1
CTC4103080000	GI Yellow	90	8.000	3	6	4,2	2,4	1
CTC4103100000	GI Yellow	90	10.000	3	6	4,2	2,4	1
CTC4104010000	GR Grey	120	1.000	4	8	5,6	3,2	1
CTC4104020000	GR Grey	120	2.000	4	8	5,6	3,2	1
CTC4104030000	GR Grey	120	3.000	4	8	5,6	3,2	1
CTC4104040000	GR Grey	120	4.000	4	8	5,6	3,2	1
CTC4104050000	GR Grey	120	5.000	4	8	5,6	3,2	1
CTC4104060000	GR Grey	120	6.000	4	8	5,6	3,2	1
CTC4104080000	GR Grey	120	8.000	4	8	5,6	3,2	1
CTC4104100000	GR Grey	120	10.000	4	8	5,6	3,2	1
CTC4104120000	GR Grey	120	12.000	4	8	5,6	3,2	1
CTC4105010000	RO Red	150	1.000	5	10	7	4	1
CTC4105020000	RO Red	150	2.000	5	10	7	4	1
CTC4105030000	RO Red	150	3.000	5	10	7	4	1
CTC4105040000	RO Red	150	4.000	5	10	7	4	1
CTC4105050000	RO Red	150	5.000	5	10	7	4	1
CTC4105060000	RO Red	150	6.000	5	10	7	4	1
CTC4105080000	RO Red	150	8.000	5	10	7	4	1
CTC4105100000	RO Red	150	10.000	5	10	7	4	1
CTC4105120000	RO Red	150	12.000	5	10	7	4	1
CTC4106020000	MA Brown	180	2.000	6	12	8,4	4,8	1
CTC4106030000	MA Brown	180	3.000	6	12	8,4	4,8	1
CTC4106040000	MA Brown	180	4.000	6	12	8,4	4,8	1
CTC4106050000	MA Brown	180	5.000	6	12	8,4	4,8	1
CTC4106060000	MA Brown	180	6.000	6	12	8,4	4,8	1
CTC4106080000	MA Brown	180	8.000	6	12	8,4	4,8	1
CTC4106100000	MA Brown	180	10.000	6	12	8,4	4,8	1
CTC4108020000	BL Blue	240	2.000	8	16	11,2	6,4	1
CTC4108030000	BL Blue	240	3.000	8	16	11,2	6,4	1



STANDARD
EN 1492-1

MATERIAL
PES (Polyester)

COLOUR
See table (European standards)

SAFETY FACTOR
7:1

CERTIFICATION
CE marking according to the Machinery Directive 89392 CEE II A

USE



The strap must be used on flat surfaces. In fact, it could become damaged with excessive curvature (example: conventional grills and hooks, etc.).
An optimal contact surface can be calculated as follows:
radius of curvature $\geq 0.75 \times$ strap width.

NOTES

All straps have a label sewn inside the slot indicating the length, capacity in various work positions, and marking.
Available in other lengths.

Code	Colour	G	L	Working load limit W.L.L (t)				Package (pcs)
CTC4108040000	BL Blue	240	4.000	8	16	11,2	6,4	1
CTC4108050000	BL Blue	240	5.000	8	16	11,2	6,4	1
CTC4108060000	BL Blue	240	6.000	8	16	11,2	6,4	1
CTC4108070000	BL Blue	240	7.000	8	16	11,2	6,4	1
CTC4108080000	BL Blue	240	8.000	8	16	11,2	6,4	1
CTC4108100000	BL Blue	240	10.000	8	16	11,2	6,4	1
CTC4110020000	AR Orange	300	2.000	10	20	14	8	1
CTC4110030000	AR Orange	300	3.000	10	20	14	8	1
CTC4110040000	AR Orange	300	4.000	10	20	14	8	1
CTC4110050000	AR Orange	300	5.000	10	20	14	8	1
CTC4110060000	AR Orange	300	6.000	10	20	14	8	1
CTC4110080000	AR Orange	300	8.000	10	20	14	8	1
CTC4110100000	AR Orange	300	10.000	10	20	14	8	1
CTC4110120000	AR Orange	300	12.000	10	20	14	8	1



STANDARD
EN 1492-2

MATERIAL
PES (Polyester)

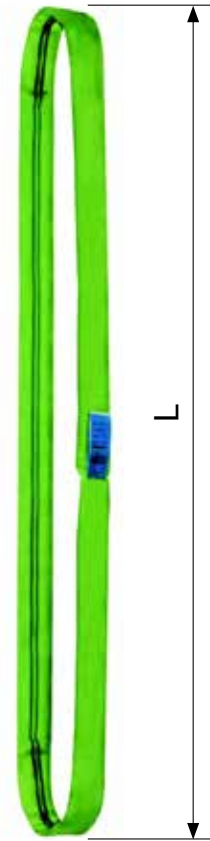
COLOUR
See table (European standards)

SAFETY FACTOR
7:1

CERTIFICATION
CE marking according to the Machinery Directive 89392 CEE II A

USE
Particularly suitable for slip ring (loop) lifting Reduced wear compared to the flat strap with slots because its entire length can be used.

NOTES
The fibre is protected with anti-abrasion tubular sheathing. All straps have a label sewn inside the protective sheathing indicating the length, capacity in various work positions, and marking. Available in other lengths.



Code	Colour	L	Working load limit W.L.L (t)				Package (pcs)
CTC4201010000	VI Purple	500	1	2	1,4	0,8	1
CTC4201020000	VI Purple	1.000	1	2	1,4	0,8	1
CTC4201030000	VI Purple	1.500	1	2	1,4	0,8	1
CTC4201040000	VI Purple	2.000	1	2	1,4	0,8	1
CTC4201050000	VI Purple	2.500	1	2	1,4	0,8	1
CTC4201060000	VI Purple	3.000	1	2	1,4	0,8	1
CTC4201080000	VI Purple	4.000	1	2	1,4	0,8	1
CTC4201100000	VI Purple	5.000	1	2	1,4	0,8	1
CTC4201120000	VI Purple	6.000	1	2	1,4	0,8	1
CTC4201160000	VI Purple	8.000	1	2	1,4	0,8	1
CTC4202010000	VE Green	500	2	4	2,8	1,6	1
CTC4202020000	VE Green	1.000	2	4	2,8	1,6	1
CTC4202030000	VE Green	1.500	2	4	2,8	1,6	1
CTC4202040000	VE Green	2.000	2	4	2,8	1,6	1
CTC4202050000	VE Green	2.500	2	4	2,8	1,6	1
CTC4202060000	VE Green	3.000	2	4	2,8	1,6	1
CTC4202080000	VE Green	4.000	2	4	2,8	1,6	1
CTC4202100000	VE Green	5.000	2	4	2,8	1,6	1
CTC4202120000	VE Green	6.000	2	4	2,8	1,6	1
CTC4202160000	VE Green	8.000	2	4	2,8	1,6	1
CTC4203020000	GI Yellow	1.000	3	6	4,2	2,4	1
CTC4203030000	GI Yellow	1.500	3	6	4,2	2,4	1
CTC4203040000	GI Yellow	2.000	3	6	4,2	2,4	1
CTC4203050000	GI Yellow	2.500	3	6	4,2	2,4	1
CTC4203060000	GI Yellow	3.000	3	6	4,2	2,4	1
CTC4203080000	GI Yellow	4.000	3	6	4,2	2,4	1
CTC4203100000	GI Yellow	5.000	3	6	4,2	2,4	1
CTC4203120000	GI Yellow	6.000	3	6	4,2	2,4	1
CTC4203160000	GI Yellow	8.000	3	6	4,2	2,4	1
CTC4204020000	GR Grey	1.000	4	8	5,6	3,2	1
CTC4204030000	GR Grey	1.500	4	8	5,6	3,2	1

1
2
3
4
5
6
7
8
9
10
11
12
13
14
15
16
17
18
19
20



STANDARD
EN 1492-2

MATERIAL
PES (Polyester)





COLOUR
See table (European standards)

SAFETY FACTOR
7:1

CERTIFICATION
CE marking according to the Machinery Directive 89392 CEE II A

USE
Particularly suitable for slip ring (loop) lifting. Reduced wear compared to the flat strap with slots because its entire length can be used.

NOTES
The fibre is protected with anti-abrasion tubular sheathing. All straps have a label sewn inside the protective sheathing indicating the length, capacity in various work positions, and marking. Available in other lengths.

Code	Colour	L	Working load limit W.L.L (t)				Package (pcs)
							
CTC4204040000	GR Grey	2.000	4	8	5,6	3,2	1
CTC4204050000	GR Grey	2.500	4	8	5,6	3,2	1
CTC4204060000	GR Grey	3.000	4	8	5,6	3,2	1
CTC4204080000	GR Grey	4.000	4	8	5,6	3,2	1
CTC4204100000	GR Grey	5.000	4	8	5,6	3,2	1
CTC4204120000	GR Grey	6.000	4	8	5,6	3,2	1
CTC4204160000	GR Grey	8.000	4	8	5,6	3,2	1
CTC4205020000	RO Red	1.000	5	10	7	4	1
CTC4205030000	RO Red	1.500	5	10	7	4	1
CTC4205040000	RO Red	2.000	5	10	7	4	1
CTC4205050000	RO Red	2.500	5	10	7	4	1
CTC4205060000	RO Red	3.000	5	10	7	4	1
CTC4205080000	RO Red	4.000	5	10	7	4	1
CTC4205100000	RO Red	5.000	5	10	7	4	1
CTC4205120000	RO Red	6.000	5	10	7	4	1
CTC4205160000	RO Red	8.000	5	10	7	4	1
CTC4206020000	MA Brown	1.000	6	12	8,4	4,6	1
CTC4206030000	MA Brown	1.500	6	12	8,4	4,6	1
CTC4206040000	MA Brown	2.000	6	12	8,4	4,6	1
CTC4206050000	MA Brown	2.500	6	12	8,4	4,6	1
CTC4206060000	MA Brown	3.000	6	12	8,4	4,6	1
CTC4206080000	MA Brown	4.000	6	12	8,4	4,6	1
CTC4206100000	MA Brown	5.000	6	12	8,4	4,6	1
CTC4206120000	MA Brown	6.000	6	12	8,4	4,6	1
CTC4206160000	MA Brown	8.000	6	12	8,4	4,6	1
CTC4208020000	BL Blue	1.000	8	16	11,2	6,4	1
CTC4208030000	BL Blue	1.500	8	16	11,2	6,4	1
CTC4208040000	BL Blue	2.000	8	16	11,2	6,4	1
CTC4208050000	BL Blue	2.500	8	16	11,2	6,4	1
CTC4208060000	BL Blue	3.000	8	16	11,2	6,4	1
CTC4208080000	BL Blue	4.000	8	16	11,2	6,4	1



STANDARD

EN 1492-2

MATERIAL

PES (Polyester)

COLOUR

See table (European standards)

SAFETY FACTOR

7:1

CERTIFICATION

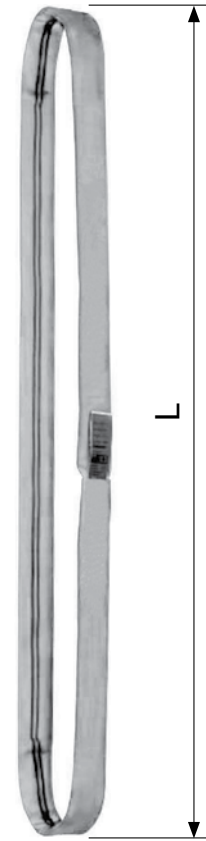
CE marking according to the Machinery Directive 89392 CEE II A

















USE

Particularly suitable for slip ring (loop) lifting Reduced wear compared to the flat strap with slots because its entire length can be used.

NOTES

The fibre is protected with anti-abrasion tubular sheathing. All straps have a label sewn inside the protective sheathing indicating the length, capacity in various work positions, and marking. Available in other lengths.



Code	Colour	L	Working load limit W.L.L (t)				Package (pcs)
							
CTC4208100000	 Blue	5.000	8	16	11,2	6,4	1
CTC4208120000	 Blue	6.000	8	16	11,2	6,4	1
CTC4208160000	 Blue	8.000	8	16	11,2	6,4	1
CTC4210020000	 Orange	1.000	10	20	14	8	1
CTC4210030000	 Orange	1.500	10	20	14	8	1
CTC4210040000	 Orange	2.000	10	20	14	8	1
CTC4210050000	 Orange	2.500	10	20	14	8	1
CTC4210060000	 Orange	3.000	10	20	14	8	1
CTC4210100000	 Orange	4.000	10	20	14	8	1
CTC4210100000	 Orange	5.000	10	20	14	8	1
CTC4210120000	 Orange	6.000	10	20	14	8	1
CTC4210160000	 Orange	8.000	10	20	14	8	1

1
2
3
4
5
6
7
8
9
10
11
12
13
14
15
16
17
18
19
20