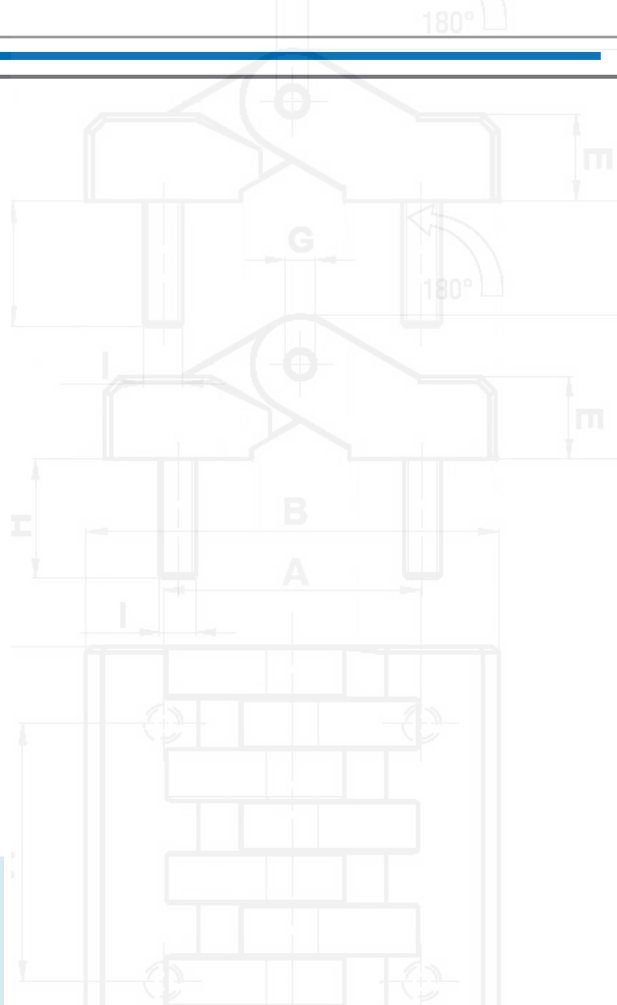




# 12

**HINGES**





**Prominent hinge**  
*pag. 12.1*



**Lift-off hinge**  
*pag. 12.11*



**Torque hinge**  
*pag. 12.13*



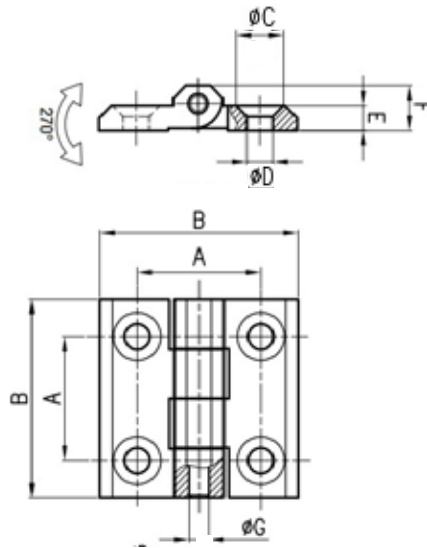
**Concealed hinge**  
*pag. 12.17*



**Spring hinge**  
*pag. 12.20*



**Positionable hinge**  
*pag. 12.21*



Zama

**MATERIAL - SURFACE TREATMENT**

**Flanges:** ZAMA (Die-cast zinc) chrome  
ZAMA (Die-cast zinc) powder coated

**Pin:** AISI303 (Stainless steel)

**COLOUR**

- CR Glossy chrome
- NE Black

Stainless steel

**MATERIAL - SURFACE TREATMENT**

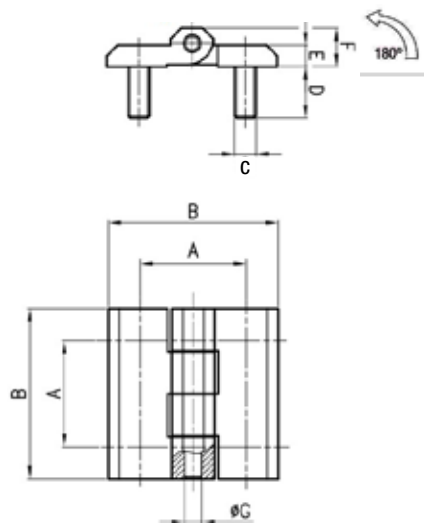
**Flanges:** AISI316 (Stainless steel)

**Pin:** AISI316 (Stainless steel)

**NOTES**

The thickness of the paint has not been calculated.

Code <span style="border: 1px solid black; border-radius: 50%; padding: 2px;">CR</span>	Code <span style="border: 1px solid black; border-radius: 50%; padding: 2px;">NE</span>	Code Inox	A	B	C	D	E	F	G	Package (pcs) CR	Package (pcs) NE	Package (pcs) Inox
CRZSE40040021	CRZSE40040040	CR7SE40040000	25	40	9,6	5,2	5	9	4	300	300	200
CRZSE50050021	CRZSE50050040	CR7SE50050000	30	50	12,4	6,2	6	11,5	6	150	150	150
CRZSE60060021	CRZSE60060040	CR7SE60060000	36	60	13	8,4	8	15	8	100	150	100
-	CRZSE60060A40	-	36	60	13	6,2	6	11,5	6	-	100	-
CRZSE64064021	CRZSE64064040	-	40	64	13	6,5	6	11,5	6	200	200	-



**MATERIAL - SURFACE TREATMENT**

**Flanges:** ZAMA (Die-cast zinc) chrome  
ZAMA (Die-cast zinc) powder coated

**Pin:** AISI303 (Stainless steel)

**Threaded pins:** AISI303 (Stainless steel)

**COLOUR**

- CR Glossy chrome
- NE Matt black

**NOTES**

The thickness of the paint has not been calculated.

Code <span style="border: 1px solid black; border-radius: 50%; padding: 2px;">CR</span>	Code <span style="border: 1px solid black; border-radius: 50%; padding: 2px;">NE</span>	A	B	C	D	E	F	G	Package (pcs)
-	CRZPE40040040	25	40	M5	12	5	9	4	200
CRZPE50050021	CRZPE50050040	30	50	M6	12	6	11,5	6	100
-	CRZPE60060040	36	60	M8	14	8	15	8	100

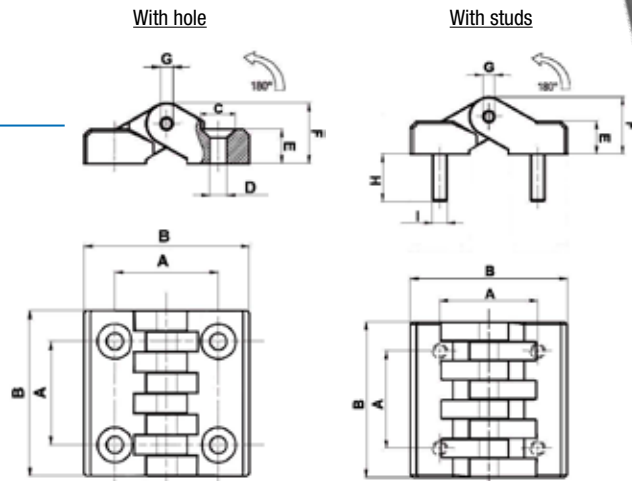


**MATERIAL**

**Flanges:** PA-CV (Glass-filled polyamide)  
**Pin:** AISI303 (Stainless steel)  
**Threaded pins:** Steel white galvanized

**COLOUR**

NE Black



Code with hole	Code with studs	A	B	C	D	E	F	G	H	I	Package (pcs)
CRSSE320320N8	-	20	32	8,5	4,5	7	10,5	3	-	-	10
CRSSE480480N8	CRSPE480480N8	30	48	12,5	6,5	10,5	15,5	5	15	M5	10
-	CRSPE480481N8	30	48	-	-	10,5	15,5	5	15	M6	10
CRSSE640641N8	CRSPE640641N8	40	64	12,5	6,5	13	19	5	20	M6	10
-	CRSPE640642N8	40	64	-	-	13	19	5	20	M8	10
CRSSE960960N8	-	60	96	16,5	8,5	16	24	8	-	-	10
CRSSE960961N8	-	60	96	20,5	10,5	16	24	8	-	-	10
-	CRSPE960960N8	60	96	-	-	19	28,5	8	20	M8	10
-	CRSPE960961N8	60	96	-	-	19	28,5	8	20	M10	10

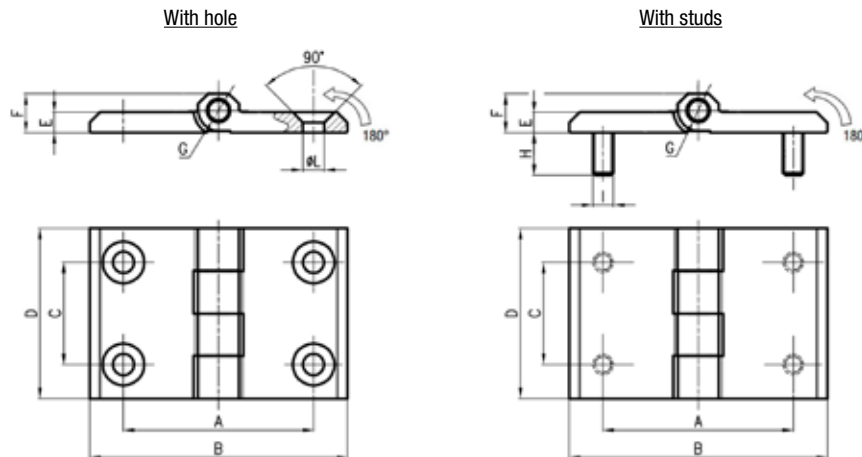
180° PROMINENT HINGE

**MATERIAL - SURFACE TREATMENT**

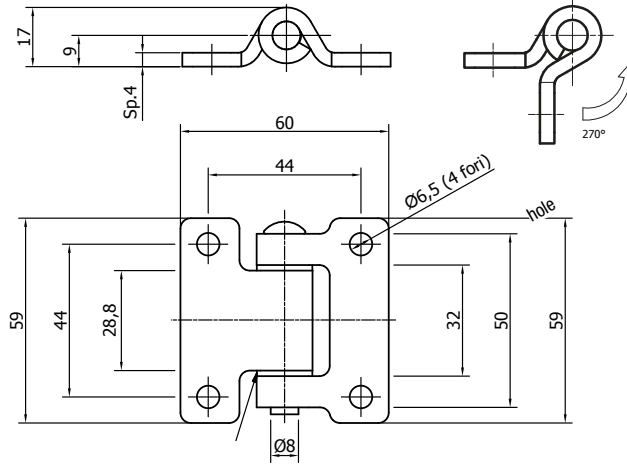
**Flanges:** ZAMA (Die-cast zinc) black powder coated  
**Pin:** AISI303 (Stainless steel)  
**Threaded pins:** Stainless steel

**NOTES**

On request also available in 316 Stainless steel.  
The thickness of the paint has not been calculated.



Code with holes	Code with studs	A	B	C	D	E	F	G	H	L	I	Package (pcs) with holes	Package (pcs) with studs
CRZSE76050040	CRZPE76050040	56	76	30	50	6	11,5	6	12,5	6,3	M6	150	100
CRZSEC0060040	CRZPEC0060040	88	120	30	60	8	15	8	12,5	6,8	M8	50	50



Anti-seize bushing

*Steel*

**MATERIAL - SURFACE TREATMENT**

**Flanges:** Steel white galvanized  
Steel black powder coated

**Pin:** AISI304 (Stainless steel) polished

**Anti-seize bushing:** PA (Polyamide) white

*Stainless steel*

**MATERIAL - SURFACE TREATMENT**

**Flanges:** AISI304 (Stainless steel) polished

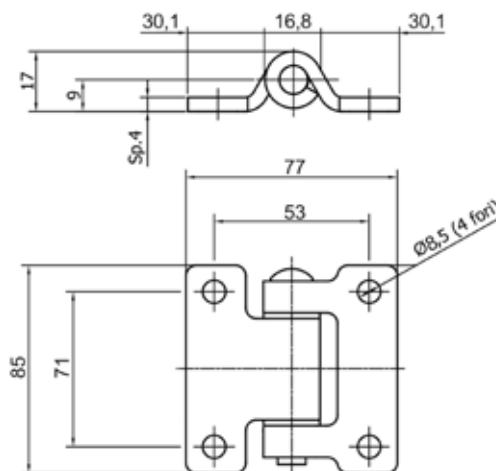
**Pin:** AISI304 (Stainless steel) polished

**Anti-seize bushing:** PA (Polyamide) white

**NOTES**

The thickness of the paint has not been calculated.

Code white galvanized	Code black powder coated	Code Stainless steel	Package (pcs)
CR5CE60059001	CR5CE60059040	CR6CE60059000	100



*Steel*

**MATERIAL - SURFACE TREATMENT**

**Flanges:** Steel white galvanized

**Pin:** AISI304 (Stainless steel)

*Stainless steel*

**MATERIAL - SURFACE TREATMENT**

**Flanges:** AISI304 (Stainless steel)

**Pin:** AISI304 (Stainless steel)

Codice white galvanized	Codice Stainless steel	Package (pcs)
CR5CE77085001	CR6CE77085000	1



Steel

MATERIAL - SURFACE TREATMENT

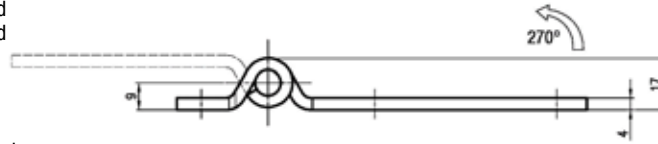
- Flanges:** Steel white galvanized  
Steel black powder coated
- Pin:** AISI304 (Stainless steel) polished
- Anti-seize bushing:** PA (Polyamide) white



Stainless steel

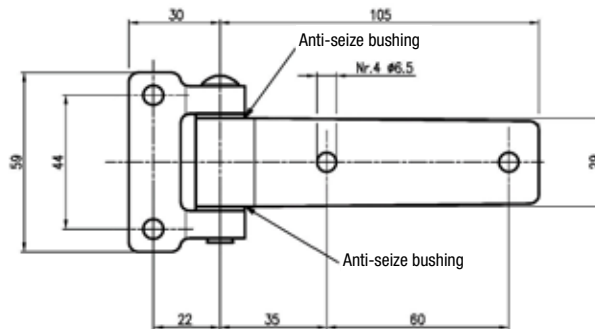
MATERIAL - SURFACE TREATMENT

- Flanges:** AISI304 (Stainless steel) polished
- Pin:** AISI304 (Stainless steel) polished
- Anti-seize bushing:** PA (Polyamide) white



NOTES

The thickness of the paint has not been calculated.



Code white galvanized	Code black powder coated	Code Stainless steel	Package (pcs)
CR5CED5059001	CR5CED5059040	CR6CED5059000	50

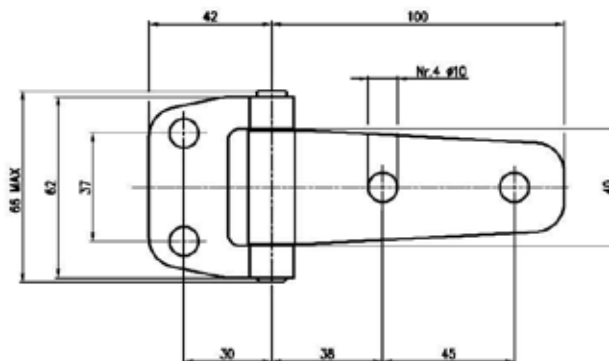
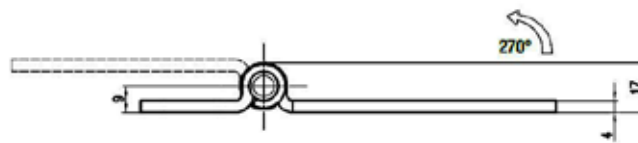
MATERIAL - SURFACE TREATMENT

- Flanges and pin:** Steel white galvanized
- Flanges and pin:** Steel black powder coated
- Anti-seize bushing:** PA (Polyamide) neutral



NOTES

The thickness of the paint has not been calculated.



Codice white galvanized	Code black powder coated	Package (pcs)
CR5CEE2062001	CR5CEE2062040	50

1  
2  
3  
4  
5  
6  
7  
8  
9  
10  
11  
12  
13  
14  
15  
16  
17  
18  
19  
20



**MATERIAL - SURFACE TREATMENT**

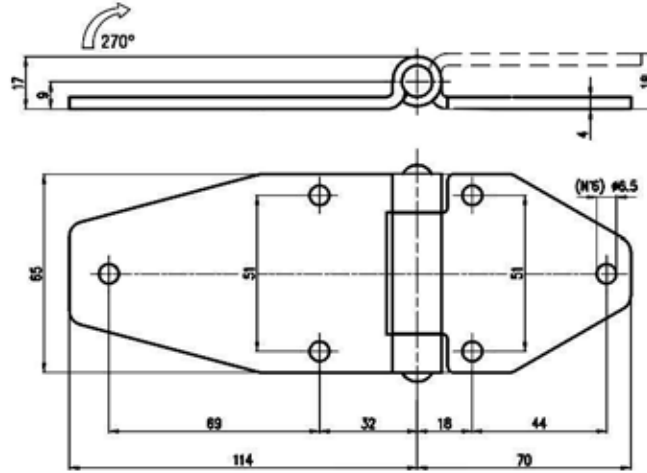
**Flanges:** Steel white galvanized

**Flanges:** Steel glossy black painted

**Pin:** Stainless steel

**NOTES**

The thickness of the paint has not been calculated.



Code white galvanized	Code black powder coated	Package (pcs)
CR5CEI4065001	CR5CEI4065040	30



*Steel*

**MATERIAL - SURFACE TREATMENT**

**Flanges:** Steel white galvanized

Steel glossy black painted

*Stainless steel*

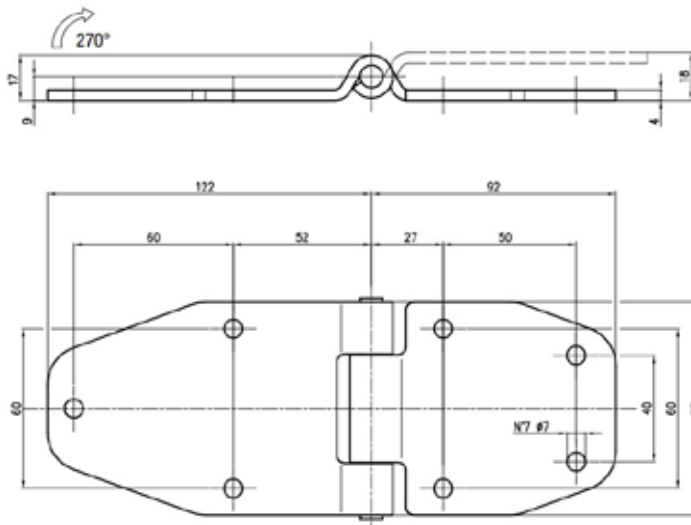
**MATERIAL - SURFACE TREATMENT**

**Flanges:** AISI304 (Stainless steel) polished

**Pin:** AISI304 (Stainless steel)

**NOTES**

The thickness of the paint has not been calculated.



Code white galvanized	Code black powder coated	Codice Stainless steel	Package (pcs) white galvanized	Package (pcs) black powder coated	Package (pcs) Stainless steel
CR5CEN4060001	CR5CEN4060040	CR6CEN4060000	200	25	25



**MATERIAL - FINISH**

**Flanges:** ZAMA (Die-cast zinc) black powder coated

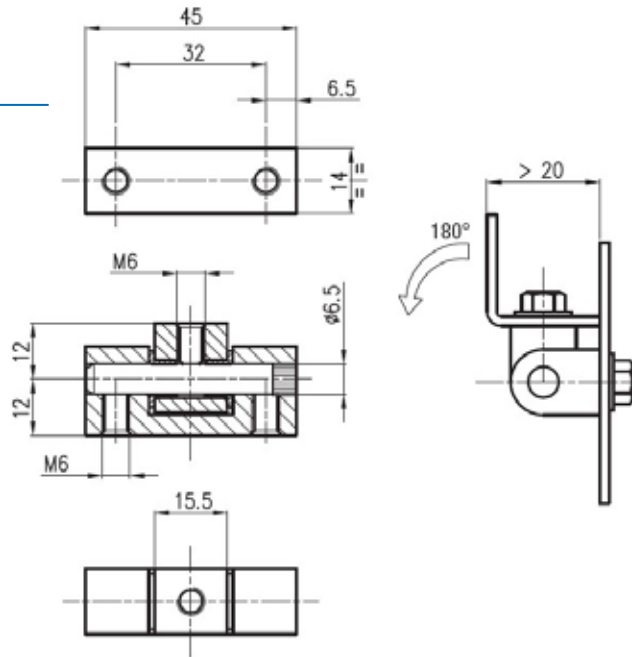
**Pin:** Stainless steel

**Anti-seize**

**bushing:** PA (Polyamide) black

**NOTES**

The thickness of the paint has not been calculated.



Code	Package (pcs)
CRZ6E14045040	100

**MATERIAL - FINISH**

**Flanges:** ZAMA (Die-cast zinc) black powder coated

**Pin:** ZAMA (Die-cast zinc) black powder coated

**Anti-seize**

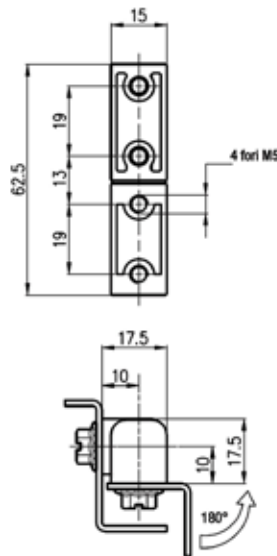
**bushing:** PA (Polyamide) black

**NOTES**

Screws not supplied.

Max. screw lenght = door thickness+5mm

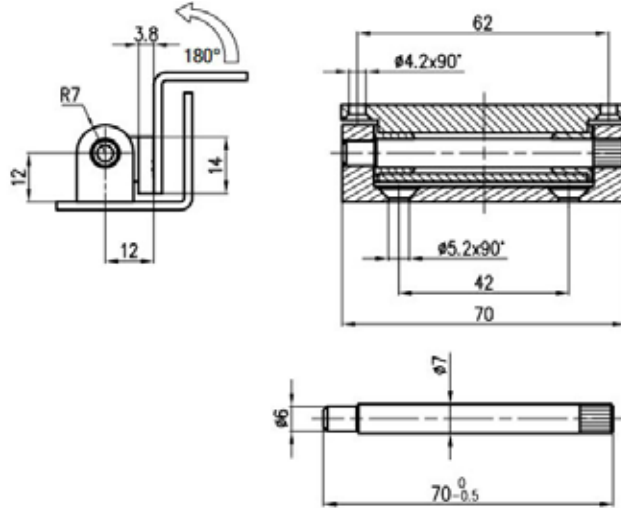
The thickness of the paint has not been calculated.



Code	Package (pcs)
CRZ6E15062040	50

- 1
- 2
- 3
- 4
- 5
- 6
- 7
- 8
- 9
- 10
- 11
- 12
- 13
- 14
- 15
- 16
- 17
- 18
- 19
- 20





**MATERIAL - FINISH**

**Flanges:** Aluminium anodizing  
**Pin:** Polished Stainless steel  
**Anti-seize bushing:** PA (Polyamide) white

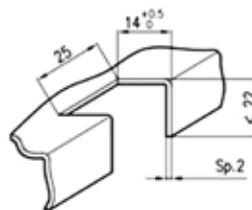
**NOTES**

Knurl pin.  
On demand available also with threaded pin (M7).

Code	Package (pcs)
CR1SE14070000	50

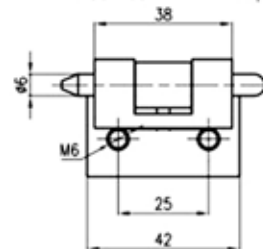
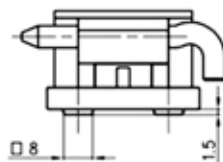
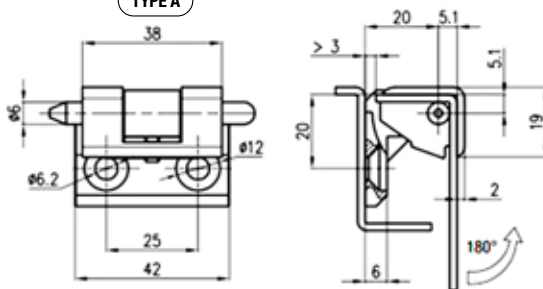


Drilling template



TYPE A

TYPE B



*Type A*

**MATERIAL - FINISH**

**Base, support, pin:** ZAMA (Die-cast zinc) chrome plated  
**Base, support, pin:** ZAMA (Die-cast zinc) painted

**COLOUR**

- CR Bright chrome plated
- NE Glossy black

*Type B*

**MATERIAL - FINISH**

**Base, support:** ZAMA (Die-cast zinc) painted  
**Pin:** Steel burnished

**COLOUR**

- NE Glossy black

**NOTES**

The thickness of the paint has not been calculated.

Code	Code	Type	Package (pcs)
CRZSE19042021	CRZSE19042040	A	200
-	CRZ6E19042040	B	100

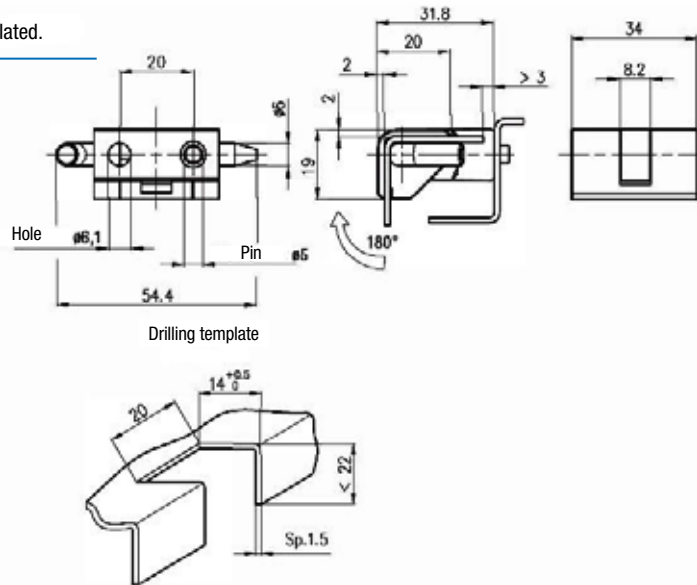


**MATERIAL - SURFACE TREATMENT**

**Base:** ZAMA (Die-cast zinc) black powder coated  
**Support:** ZAMA (Die-cast zinc) black powder coated  
**Pin:** Cl. 4.8 white galvanized

**NOTES**

The thickness of the paint has not been calculated.



Code	Package (pcs)
CRZSE19034040	200

180° PROMINENT ANGULAR HINGE

Zama

**MATERIAL - SURFACE TREATMENT**

**Base, support:** ZAMA (Die-cast zinc) chromated  
**Base, support:** ZAMA (Die-cast zinc) powder coated  
**Pin:** Cl. 4.8 white galvanized

**COLOUR**

- Glossy chrome
- Black

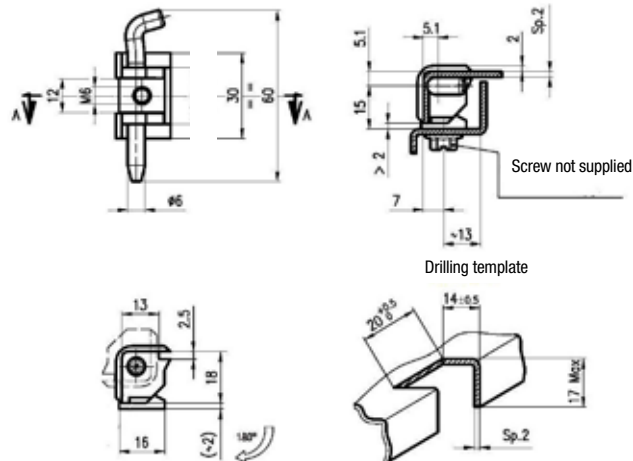
Stainless steel

**MATERIAL**

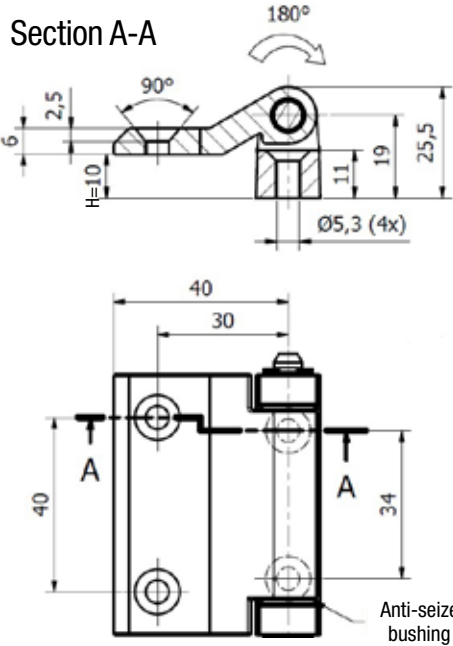
**Base, support:** AISI316 (Stainless steel)  
**Pin:** AISI316 (Stainless steel)

**NOTES**

Screw not supplied.  
On request also available with 43mm long pin.  
The thickness of the paint has not been calculated.



Code 	Code 	Code Stainless steel	Package (pcs) CR	Package (pcs) NE	Package (pcs) Inox
CRZ6E17030021	CRZ6E17030040	CRZ6E17030000	400	400	125



**MATERIAL - FINISH**

**Flanges:** ZAMA (Die-cast zinc) chromated  
**Flanges:** ZAMA (Die-cast zinc) powder coated  
**Pin e seeger:** Stainless steel  
**Anti-seize bushing:** PA (Polyamide) black

**COLORE**

**CR** Glossy chrome  
**NE** Black

**NOTES**

The thickness of the paint has not been calculated.  
 On request also available in other thicknesses: H=0, H=4, H=6

Code  
**CR**

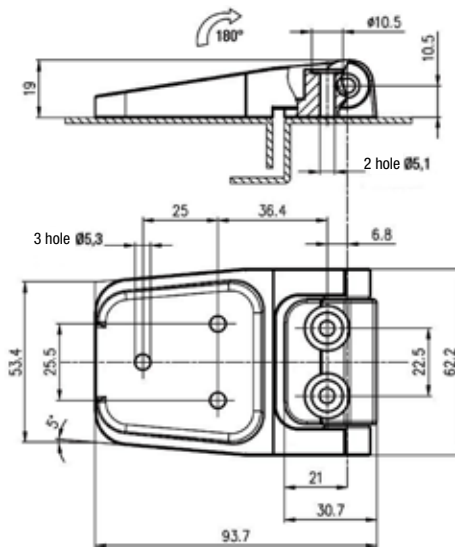
CRZSE19060021

Code  
**NE**

CRZSE19060040

Package  
 (pcs)

50



**MATERIAL - SURFACE TREATMENT**

**Flanges:** PA-CV30% (Glass-filled polyamide)  
**Pin:** Steel white galvanized

**COLOUR**

**NE** Black

Code  
**NE**

CRSCE930620N8

Package  
 (pcs)

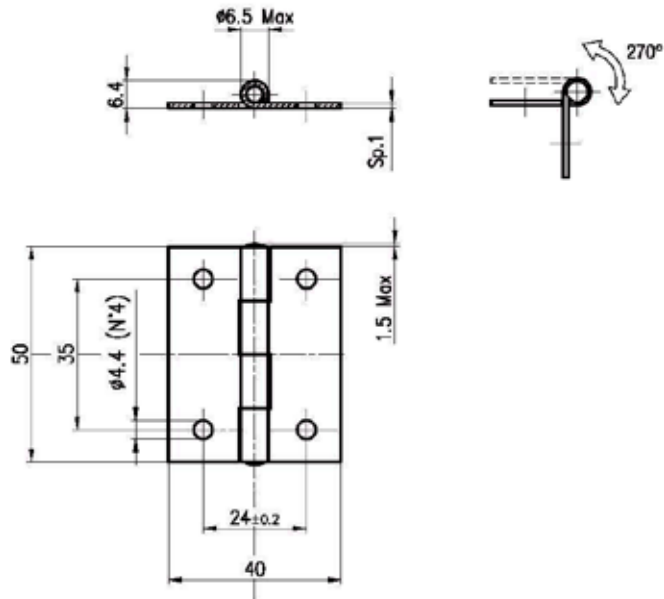
50



**MATERIAL - SURFACE TREATMENT**

**Flanges:** Steel white galvanized

**Pin:** Steel white galvanized



Code	Package (pcs)
CR5CE40050001	500

**WINDSCREEN HINGE**

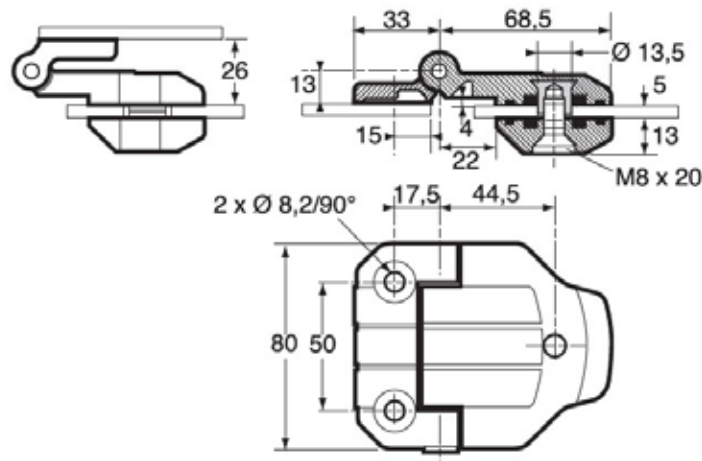
**MATERIAL**

**Flanges:** PA (Polyamide)

**Pin:** Stainless steel

**COLOUR**

**NE** Black



Code	Package (pcs)
CR5SEA10800N8	1

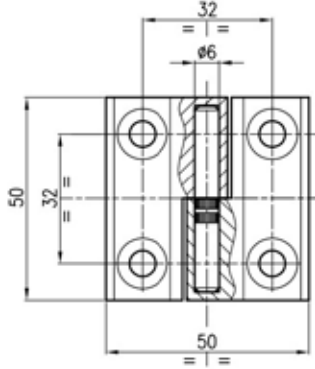
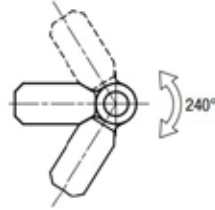
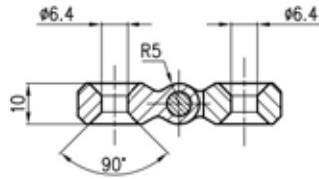
- 1
- 2
- 3
- 4
- 5
- 6
- 7
- 8
- 9
- 10
- 11
- 12
- 13
- 14
- 15
- 16
- 17
- 18
- 19
- 20



**MATERIAL**

**Flanges:** AISI304 (Stainless steel)

**Pin:** AISI304 (Stainless steel)



Code	Package (pcs)
CR6SS50050000	25



**MATERIAL - FINISH**

**Flanges:** ZAMA (Die-cast zinc) black powder coated

**Pin:** ZAMA (Die-cast zinc)

**Anti-seize**

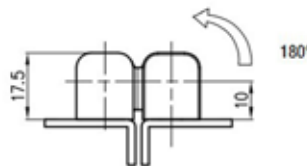
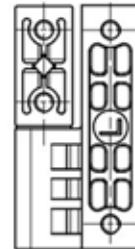
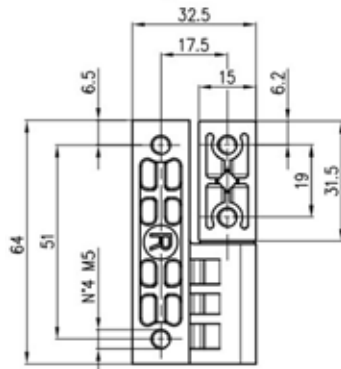
**bushing:** PA (Polyamide)

**NOTES**

The thickness of the paint has not been calculated.

Right version

Left version



Code	Version	Package (pcs)
CRZ6S32064040	DX	50
CRZ6S32064A40	SX	50

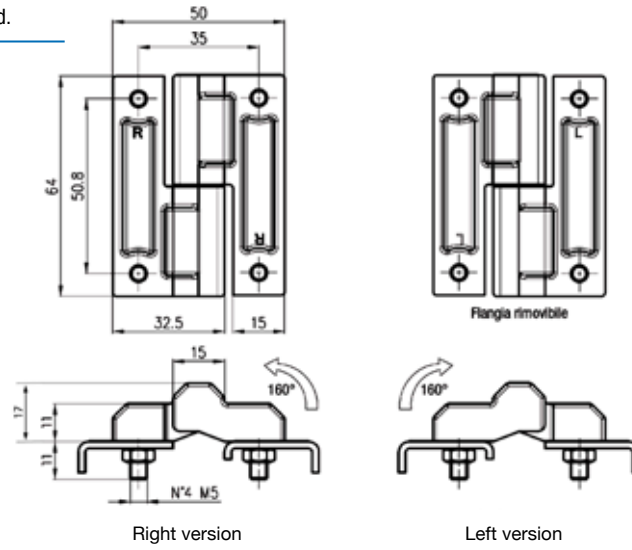


**MATERIAL - FINISH**

**Flanges:** ZAMA (Die-cast zinc)  
black powder coated  
**Pin:** AISI304 (Stainless steel)  
**Threaded pins:** Stainless steel

**NOTES**

The thickness of the paint has not been calculated.



Code	Version	Package (pcs)
CRZPS50064040	DX	50
CRZPS50064A40	SX	50

**LIFT-OFF HINGE**  
plastic

**MATERIAL**

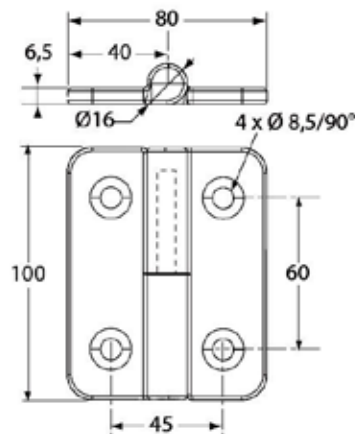
**Flanges:** PA (Polyamide)  
**Pin:** AISI304 (Stainless steel)

**COLOUR**

NE Black

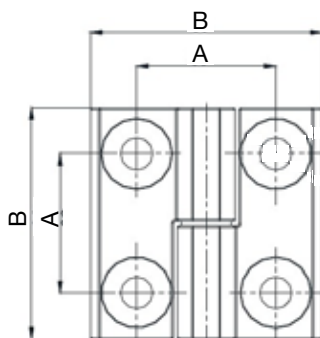
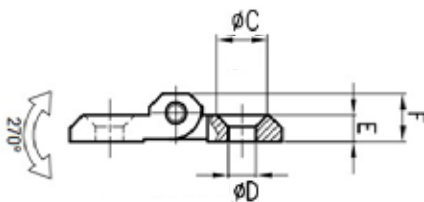
**NOTES**

The image represents the righthand side.



Code	Version	Package (pcs)
CRSSS801000N8	DX	10
CRSSS80100AN8	SX	10

1  
2  
3  
4  
5  
6  
7  
8  
9  
10  
11  
12  
13  
14  
15  
16  
17  
18  
19  
20



**MATERIAL - FINISH**

**Flanges:** ZAMA (Die-cast zinc) black powder coated

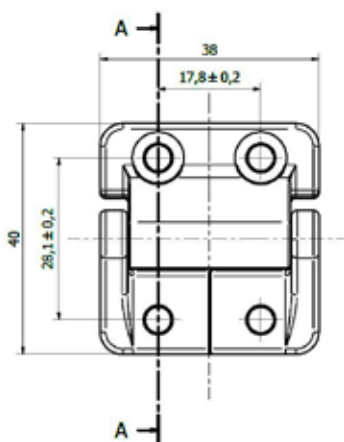
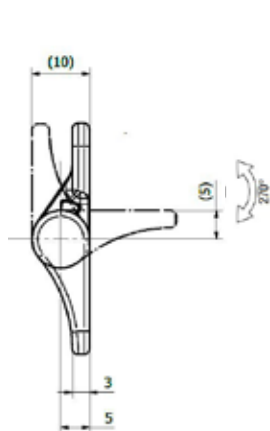
**Pin:** AISI303 (Inox)

**Washer:** PA (Poliammide) nera

**NOTES**

The thickness of the paint has not been calculated.

Code SX	Code DX	A	B	C	D	E	F	Package (pcs)
CRZSS40040040	CRZSS40040A40	25	40	11,5	5,2	5	9	50
CRZSS50050040	CRZSS50050A40	30	50	13,5	6,4	6	11,5	50
CRZSS60060040	CRZSS60060A40	36	60	18,3	8,3	8	15	50



**Section A-A**



**MATERIAL - FINISH**

**Flanges:** ZAMA (Die-cast zinc) black powder coated

**Pin:** AISI304 (Stainless steel)

**NOTES**

The thickness of the paint has not been calculated.  
20.000 cycles static torque stay ( $\pm 20\%$  of torque specification).

Code	Symmetric Nm	Package (pcs)
CRZCF40038040	0,9	50
CRZCF40038A40	1,8	50
CRZCF40038B40	2,3	50



### MATERIAL - FINISH

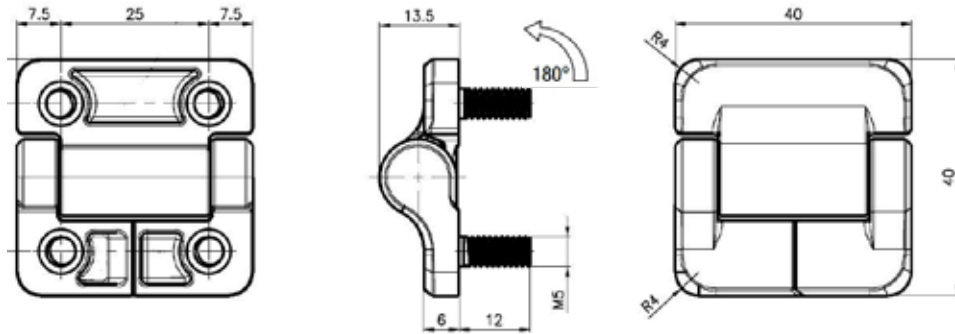
**Flanges:** ZAMA (Die-cast zinc) black powder coated

**Pin:** AISI304 (Stainless steel)

**Threaded pins:** AISI304 (Stainless steel)

### NOTES

The thickness of the paint has not been calculated.  
On demande available also with: 1,4-1,8-2,3 torque Nm.  
25.000 cycles static torque stay ( $\pm 20\%$  of torque specification).



Code	Symmetric Nm	Package (pcs)
CRZPF40040040	0,9	50

# 270° TORQUE HINGE WITH HOLES

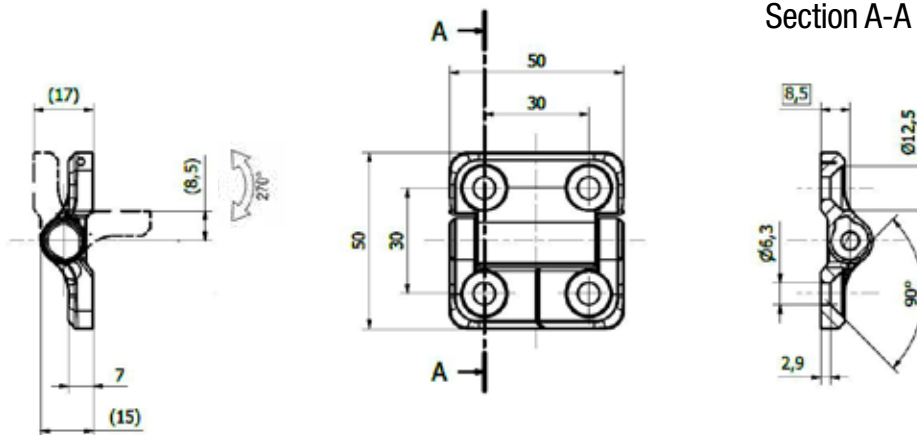
### MATERIAL - FINISH

**Flanges:** ZAMA (Die-cast zinc) black powder coated

**Pin:** AISI304 (Stainless steel)

### NOTES

The thickness of the paint has not been calculated.  
On demande available also with: 2,3-3,4 torque Nm.  
25.000 cycles static torque stay ( $\pm 20\%$  of torque specification).



Code	Symmetric Nm	Package (pcs)
CRZSF50050040	1,8	50

- 1
- 2
- 3
- 4
- 5
- 6
- 7
- 8
- 9
- 10
- 11
- 12
- 13
- 14
- 15
- 16
- 17
- 18
- 19
- 20





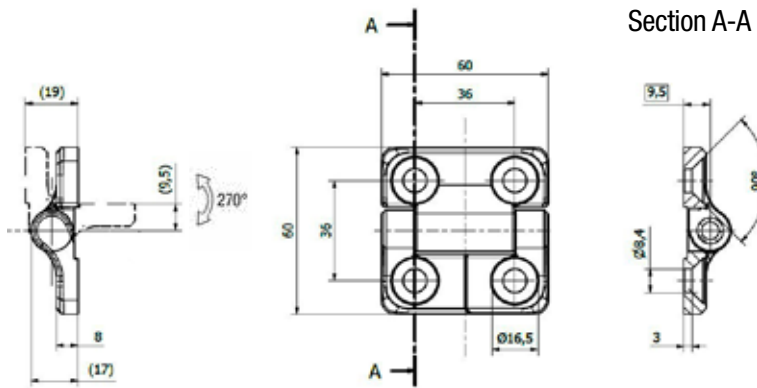
**MATERIAL -FINISH**

**Flanges:** ZAMA (Die-cast zinc) black powder coated

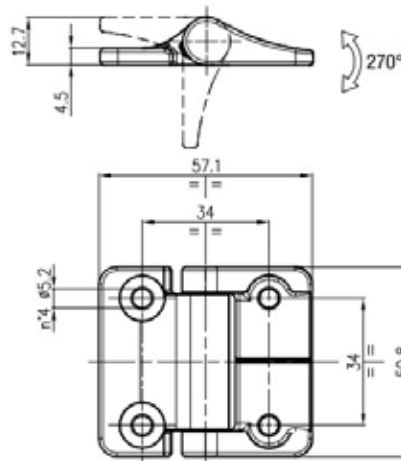
**Pin:** AISI304 (Stainless steel)

**NOTES**

The thickness of the paint has not been calculated.  
On demande available also with: 1,36-2,26-3,16 torque Nm.  
25.000 cycles static torque stay ( $\pm 20\%$  of torque specification).



Code	Symmetric Nm	Package (pcs)
CRZSF60060040	4,07	50



**MATERIAL - FINISH**

**Flanges:** ZAMA (Die-cast zinc) black powder coated

**Pin:** AISI304 (Stainless steel)

**NOTES**

The thickness of the paint has not been calculated.  
On demande available also with asymmetric torque.

Code	Symmetric Nm	Package (pcs)
CRZCF57050040	Libera	50
CRZCF57050A40	0,9	50
CRZCF57050B40	1,2	100
CRZCF57050C40	1,8	50
CRZCF57050D40	2,3	50
CRZCF57050E40	3,4	50
CRZCF57050F40	4,5	50



**MATERIAL**

**Flanges:** PA-CV30% (Glass-filled polyamide)

**Pin:** PC (polycarbonate) neutral

**Screw M6:** Stainless steel

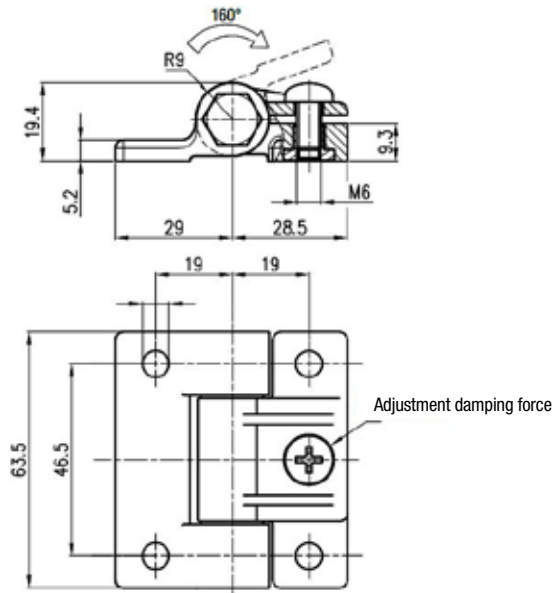
**Nut M6:** Stainless steel

**COLOUR**

**NE** Black

**NOTES**

On demande available also with asymmetric torque.



Code  
**NE**

**CRSCF570630N8**

Package  
(pcs)

200

**MATERIAL - SURFACE TREATMENT**

**Flanges:** POM (Acetyl)

**Washer:** POM (Acetyl)

**Threaded pins:** POM (Acetyl)

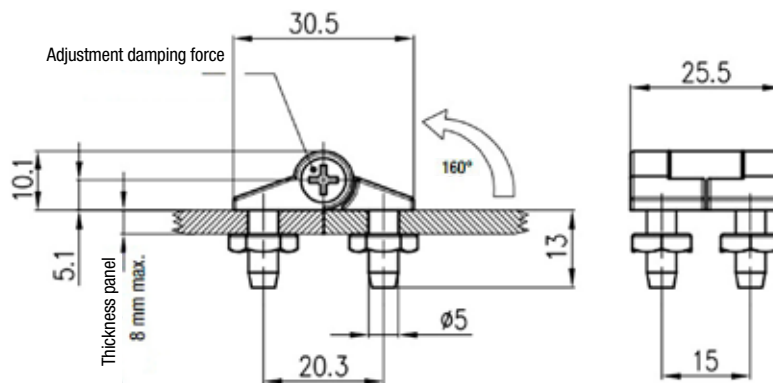
**Nuts:** Steel white galvanized

**COLOUR**

**NE** Black

**NOTES**

Nr. 4 nuts for each assembly.

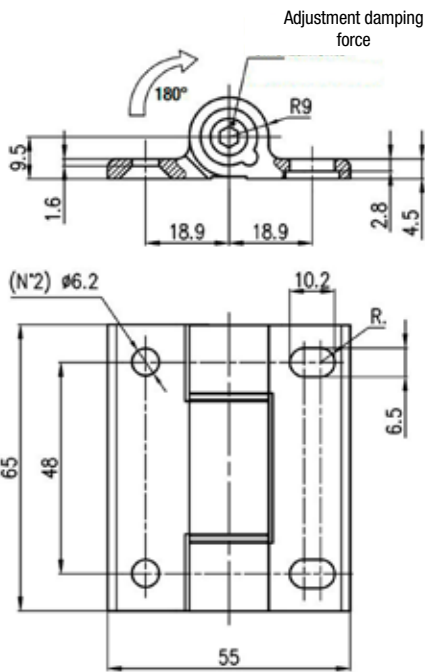


Code  
**NE**

**CRSPF300250N8**

Package  
(pcs)

300



**MATERIAL**

- Flanges:** AL (Aluminium) alloy
- Pin:** PA (Polyamide) neutral
- Bush:** Tempered steel
- Washer:** PA (Polyamide) neutral
- Screw, nut:** Inox

Code

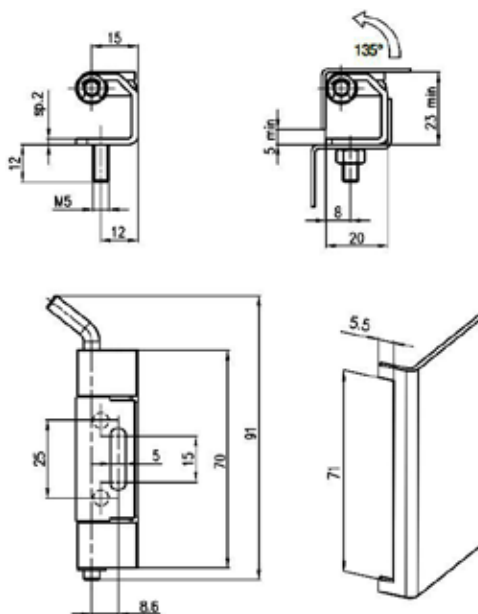
Range torque adjustment

Package (pcs)

CR1CF55065000

0 ÷ 2

100



**MATERIAL - SURFACE TREATMENT**

- Brindge:** Steel white galvanized
- Swinging flange:** Steel
- Pin:** Steel white galvanized
- Threaded pins:** Steel white galvanized
- Seeger:** Burnished steel

Code

Package (pcs)

CR5PI23091001

100



Steel

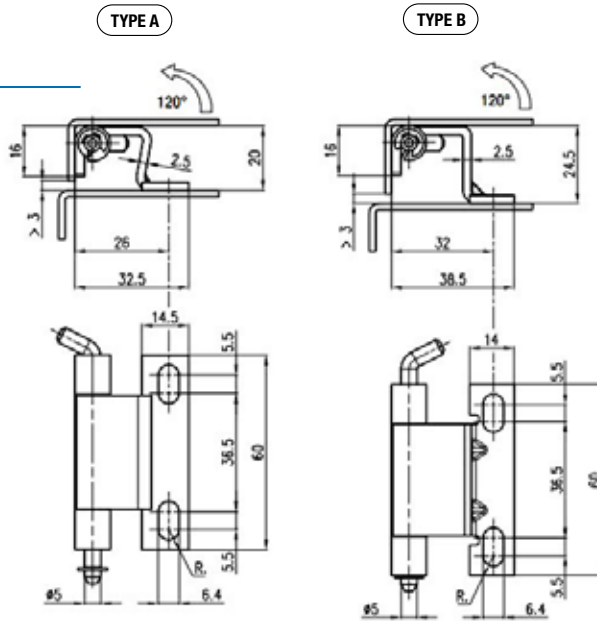
MATERIAL - SURFACE TREATMENT

Flanges pin, seeger: Steel white galvanized

Stainless steel

MATERIAL - SURFACE TREATMENT

Flanges pin, seeger: AISI304 (Stainless steel)



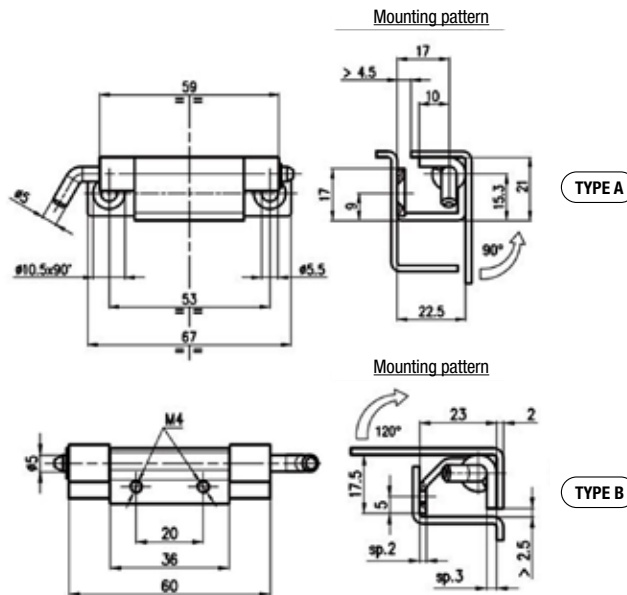
Code white galvanized	Code Inox	Type	Package (pcs) white galvanized	Package (pcs) Inox
CR50I20060001	CR60I20060000	A	100	50
CR50I24060001	CR60I24060000	B	100	50

MATERIAL - SURFACE TREATMENT

Flanges: Steel white galvanized

Pin: Steel white galvanized

Seeger: Steel white galvanized



Code	Type	Package (pcs)
CR5SI21067001	A	100
CR5CI23060001	B	100

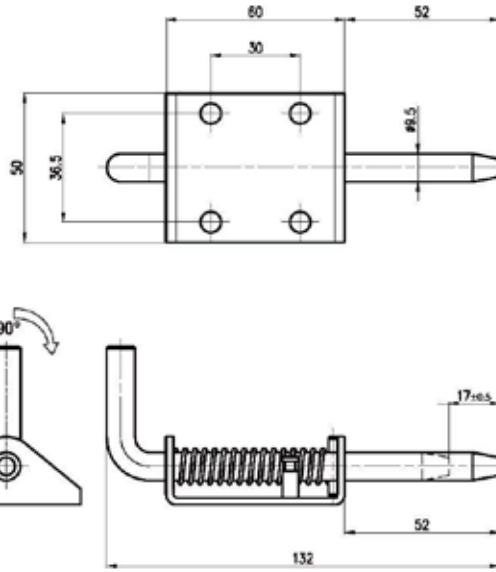


**MATERIAL - SURFACE TREATMENT**

- Base:** Steel white galvanized
- Pin:** Steel white galvanized
- Spring:** Spring steel white galvanized
- Stop pin:** Steel burnished
- Housing pin:** Steel white galvanized

**NOTES**

Concealed hinge with release spring.

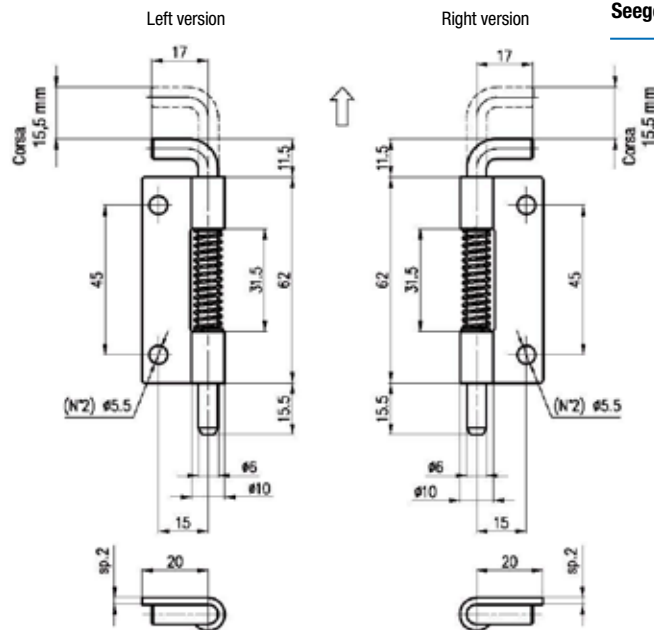


Code	Package (pcs)
CR5CI50132001	100



**MATERIAL - SURFACE TREATMENT**

- Flanges:** Steel white galvanized
- Pin:** Steel white galvanized
- Spring:** Spring steel white galvanized
- Seeger:** Steel white galvanized

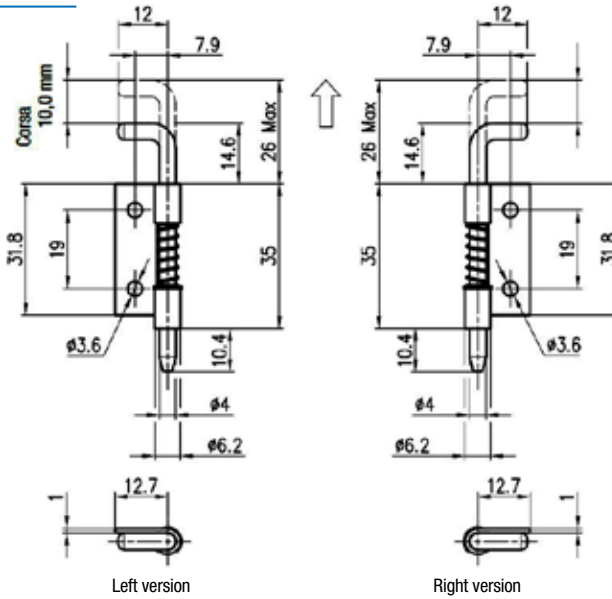


Code	Version	Package (pcs)
CR5CI20089001	DX	500
CR5CI20089A01	SX	500



**MATERIAL - SURFACE TREATMENT**

- Flanges:** Steel white galvanized
- Pin:** Steel white galvanized
- Spring:** Spring steel white galvanized
- Seeger:** Steel white galvanized



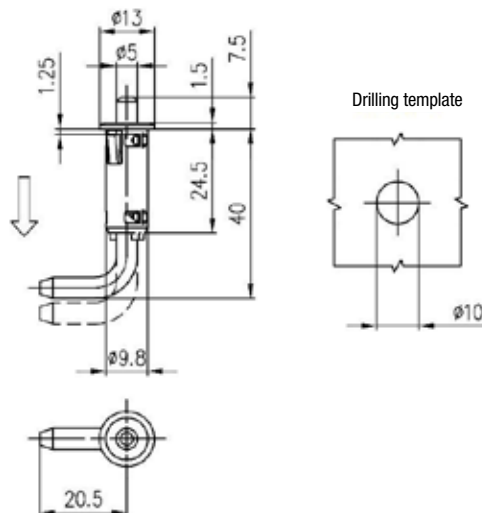
Code	Version	Package (pcs)
CR5C112060001	DX	1.000
CR5C112060A01	SX	1.000

**MATERIAL - SURFACE TREATMENT**

- Pin:** Steel white galvanized
- Housing:** PA6 (Polyamide) black

**NOTES**

Concealed hinge with release spring.



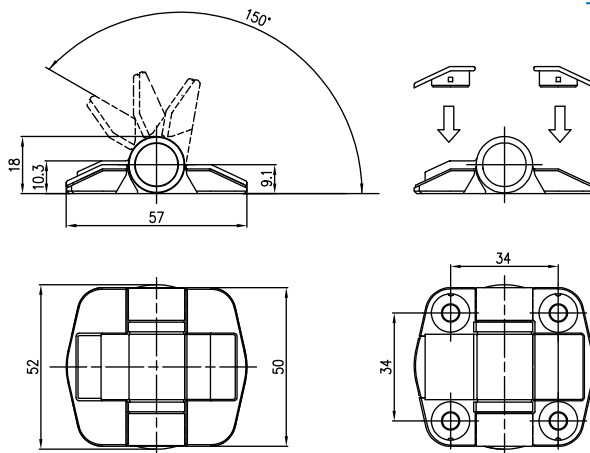
Code	Package (pcs)
CR50H13047001	200



**MATERIAL**  
**Flanges, cover:** POM (Acetyl)  
**Compression spring:** Stainless steel  
**Ball:** Steel  
**Bush:** Tempered steel

**COLOUR**  
 Black

**NOTES**  
 On demand available other opening angles: 80° and 115°.



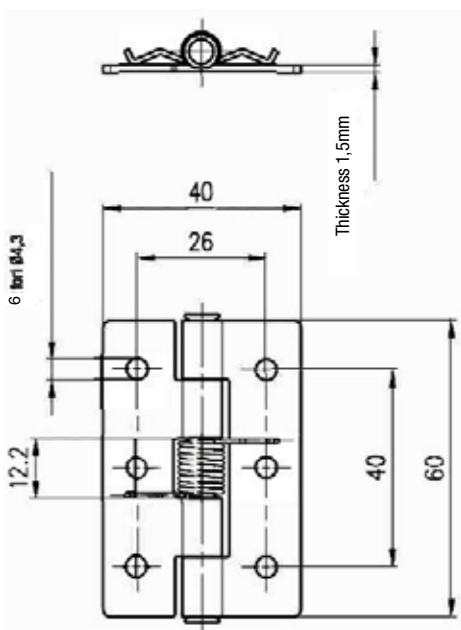
Code	Opening angle	Package (pcs)
CRQCP570500N8	150°	50

**CR00M-39** **FLAT SPRING HINGE**  
stainless steel



**MATERIAL**  
**Flanges:** AISI304 (Stainless steel)  
**Spring:** AISI304 (Stainless steel)  
**Pin:** AISI304 (Stainless steel)

**NOTES**  
 Prominent hinge whit spring.



Code	Package (pcs)
CR6CM40060000	100