

6

ANTI-VIBRATION MOUNTS





Cylindrical anti-vibration mounts

page 6.1



Parabolic anti-vibration mounts

page 6.11



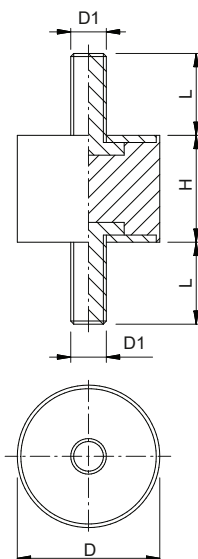
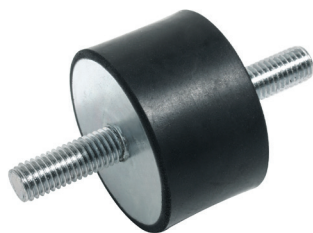
Waisted anti-vibration mounts

page 6.13



Bell-shaped anti-vibration mounts

page 6.16

**STANDARD**

DIN 95363/A

MATERIAL - SURFACE TREATMENT

Body: NR (Natural rubber)
Pin: CI 4.8 (Steel) white galvanized
Washer: DD11 (Steel) white galvanized

COLOUR

Black

RUBBER HARDNESS

60 Shore A (±5)

OPERATING TEMPERATURE

-50°C ÷ 80°C

NOTES

* Indicates the maximum load that can be supported before its functionality is compromised. The load must be compressive - avoid applying traction.

** Indicates the height variation of the rubber under maximum load.

Available in other materials, hardnesses, dimensions, and colours.

Code 	D (±1)	H (±1)	D1	L (±1)	Max load (daN) *	Deflection (mm) **	Package (pcs)
AF16006070310	6	7	M3	10	2	1,05	100
AF16010100415	10	10	M4	15	10	1,50	50
AF16010100515	10	10	M5	15	10	1,50	50
AF16015100415	15	10	M4	15	17	1,50	50
AF16015100515	15	10	M5	15	17	1,50	50
AF16015150415	15	15	M4	15	17	2,25	50
AF16015150515	15	15	M5	15	17	2,25	50
AF16015200415	15	20	M4	15	17	3	50
AF16015200515	15	20	M5	15	17	3	50
AF16020090618	20	9	M6	18	34	1,35	50
AF16020100618	20	10	M6	18	34	1,50	50
AF16020150618	20	15	M6	18	32	2,25	50
AF16020200618	20	20	M6	18	32	3	50
AF16020250618	20	25	M6	18	32	3,75	50
AF16020300618	20	30	M6	18	30	4,50	50
AF16025100623	25	10	M6	23	40	1,50	50
AF16025150623	25	15	M6	23	35	2,25	50
AF16025170623	25	17	M6	23	35	2,55	50
AF16025200623	25	20	M6	23	33	3	50
AF16025250623	25	25	M6	23	33	3,75	50
AF16025300623	25	30	M6	23	32	4,50	50
AF16025400623	25	40	M6	23	25	6	50
AF16030100823	30	10	M8	23	68	1,50	25
AF16030150823	30	15	M8	23	68	2,25	25
AF16030200823	30	20	M8	23	68	3	25
AF16030250823	30	25	M8	23	64	3,75	25
AF16030300823	30	30	M8	23	58	4,50	25
AF16030400823	30	40	M8	23	48	6	25
AF16030500823	30	50	M8	23	40	7,50	25
AF16040150823	40	15	M8	23	115	2,25	25
AF16040151028	40	15	M10	28	115	2,25	25
AF16040200823	40	20	M8	23	103	3	25
AF16040201028	40	20	M10	28	103	3	25
AF16040250823	40	25	M8	23	100	3,75	25
AF16040251028	40	25	M10	28	100	3,75	25
AF16040300823	40	30	M8	23	96	4,50	25
AF16040301028	40	30	M10	28	96	4,50	25
AF16040350823	40	35	M8	23	96	5,25	25
AF16040351028	40	35	M10	28	96	5,25	25
AF16040400823	40	40	M8	23	91	6	25



STANDARD
DIN 95363/A

MATERIAL - SURFACE TREATMENT

Body: NR (Natural rubber)
Pin: Cl 4.8 (Steel) white galvanized
Washer: DD11 (Steel) white galvanized

COLOUR

 Black

RUBBER HARDNESS

60 Shore A (±5)

OPERATING TEMPERATURE

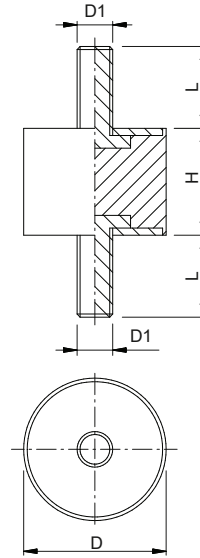
-50°C ÷ 80°C

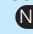
NOTES

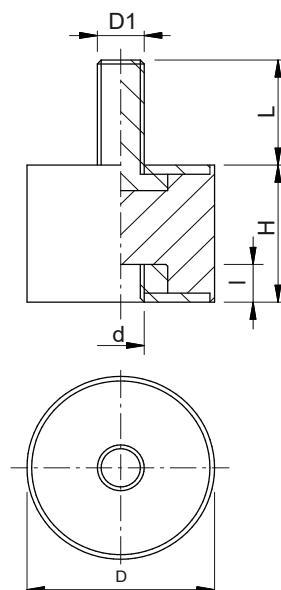
* Indicates the maximum load that can be supported before its functionality is compromised. The load must be compressive - avoid applying traction.

** Indicates the height variation of the rubber under maximum load.

Available in other materials, hardnesses, dimensions, and colours.



Code 	D (±1)	H (±1)	D1	L (±1)	Max load (daN) *	Deflection (mm) **	Package (pcs)
AF16040401028	40	40	M10	28	91	6	25
AF16040500823	40	50	M8	23	80	7,50	25
AF16040501028	40	50	M10	28	80	7,50	25
AF16050151028	50	15	M10	28	180	2,25	25
AF16050201028	50	20	M10	28	168	3	25
AF16050251028	50	25	M10	28	144	3,75	25
AF16050301028	50	30	M10	28	140	4,50	25
AF16050401028	50	40	M10	28	135	6	25
AF16050451028	50	45	M10	28	130	6,75	25
AF16050501028	50	50	M10	28	126	7,50	25
AF16060201237	60	20	M12	37	220	3	10
AF16060251237	60	25	M12	37	213	3,75	10
AF16060301237	60	30	M12	37	209	4,50	10
AF16060401237	60	40	M12	37	198	6	10
AF16060451237	60	45	M12	37	198	6,75	10
AF16060501237	60	50	M12	37	198	7,50	10
AF16075251237	75	25	M12	37	304	3,75	10
AF16075301237	75	30	M12	37	297	4,50	10
AF16075401237	75	40	M12	37	283	6	10
AF16075451237	75	45	M12	37	275	6,75	10
AF16075501237	75	50	M12	37	229	7,50	10
AF16075551237	75	55	M12	37	204	8,25	10
AF160A0251647	100	25	M16	47	620	3,75	5
AF160A0301647	100	30	M16	47	610	4,50	5
AF160A0401647	100	40	M16	47	594	6	5
AF160A0451647	100	45	M16	47	594	6,75	5
AF160A0501647	100	50	M16	47	585	7,50	5
AF160A0551647	100	55	M16	47	577	8,25	5
AF160A0601647	100	60	M16	47	570	9	5
AF160A0A01647	100	100	M16	47	550	15	5
AF160C5551647	125	55	M16	47	736	8,25	5
AF160C5751647	125	75	M16	47	736	11,25	5
AF160C5A01647	125	100	M16	47	723	15	5
AF160C5C51647	125	125	M16	47	700	18,75	5
AF160F0502047	150	50	M20	47	1100	7,50	5
AF160F0752047	150	75	M20	47	1030	11,25	5
AF160F0A02047	150	100	M20	47	969	15	5
AF160F0F02047	150	150	M20	47	949	22,50	5
AF160K0A02447	200	100	M24	47	1800	15	1

**STANDARD**

DIN 95363/B

MATERIAL - SURFACE TREATMENT

Body: NR (Natural rubber)
Pin: Cl 4.8 (Steel) white galvanized
Washer: DD11 (Steel) white galvanized
Bushing: Cl 4 (Steel) white galvanized

COLOUR

Black

RUBBER HARDNESS60 Shore A (± 5)**OPERATING TEMPERATURE** $-50^{\circ}\text{C} \div 80^{\circ}\text{C}$ **NOTES**

* Indicates the maximum load that can be supported before its functionality is compromised. The load must be compressive - avoid applying traction.

** Indicates the height variation of the rubber under maximum load.

Available in other materials, hardnesses, dimensions, and colours.

Code NE	D (± 1)	H (± 1)	D1	L (± 1)	d	l (± 1)	Max load (daN) *	Deflection (mm) **	Package (pcs)
AF26006070310	6	7	M3	10	M3	3	2	1,05	100
AF26010100415	10	10	M4	15	M4	4	11	1,50	50
AF26010100515	10	10	M5	15	M5	5	11	1,50	50
AF26015100415	15	10	M4	15	M4	4	20	1,50	50
AF26015100515	15	10	M5	15	M5	5	20	1,50	50
AF26015150415	15	15	M4	15	M4	4	20	2,25	50
AF26015150515	15	15	M5	15	M5	5	20	2,25	50
AF26015200415	15	20	M4	15	M4	4	19	3	50
AF26015200515	15	20	M5	15	M5	5	19	3	50
AF26020090618	20	9	M6	18	M6	6	39	1,35	50
AF26020100618	20	10	M6	18	M6	6	39	1,50	50
AF26020150618	20	15	M6	18	M6	6	38	2,25	50
AF26020200618	20	20	M6	18	M6	6	35	3	50
AF26020250618	20	25	M6	18	M6	6	34	3,75	50
AF26020300618	20	30	M6	18	M6	6	32	4,50	50
AF26025100623	25	10	M6	23	M6	6	45	1,50	50
AF26025150623	25	15	M6	23	M6	6	40	2,25	50
AF26025170623	25	17	M6	23	M6	6	40	2,55	50
AF26025200623	25	20	M6	23	M6	6	38	3	50
AF26025250623	25	25	M6	23	M6	6	37	3,75	50
AF26025300623	25	30	M6	23	M6	6	36	4,50	50
AF26025400623	25	40	M6	23	M6	6	30	6	50
AF26030100823	30	10	M8	23	M8	8	73	1,50	25
AF26030150823	30	15	M8	23	M8	8	73	2,25	25
AF26030200823	30	20	M8	23	M8	8	70	3	25
AF26030250823	30	25	M8	23	M8	8	68	3,75	25
AF26030300823	30	30	M8	23	M8	8	65	4,50	25
AF26030400823	30	40	M8	23	M8	8	63	6	25
AF26030500823	30	50	M8	23	M8	8	60	7,50	25
AF26040150823	40	15	M8	23	M8	8	130	2,25	25
AF26040151028	40	15	M10	28	M10	10	130	2,25	25
AF26040200823	40	20	M8	23	M8	8	125	3	25
AF26040201028	40	20	M10	28	M10	10	125	3	25
AF26040250823	40	25	M8	23	M8	8	120	3,75	25
AF26040251028	40	25	M10	28	M10	10	120	3,75	25
AF26040300823	40	30	M8	23	M8	8	112	4,50	25
AF26040301028	40	30	M10	28	M10	10	112	4,50	25
AF26040350823	40	35	M8	23	M8	8	117	5,25	25
AF26040351028	40	35	M10	28	M10	10	117	5,25	25
AF26040400823	40	40	M8	23	M8	8	95	6	25

STANDARD
DIN 95363/B

MATERIAL - SURFACE TREATMENT

Body: NR (Natural rubber)
Pin: CI 4.8 (Steel) white galvanized
Washer: DD11 (Steel) white galvanized
Bushing: CI 4 (Steel) white galvanized

COLOUR

 Black

RUBBER HARDNESS

60 Shore A (±5)

OPERATING TEMPERATURE

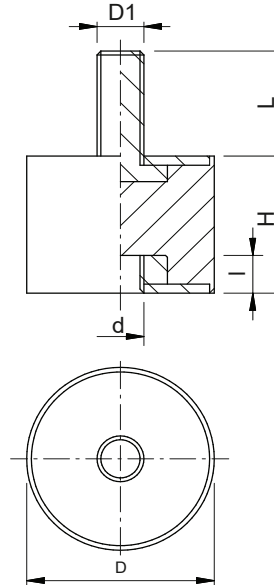
-50°C ÷ 80°C


NOTES

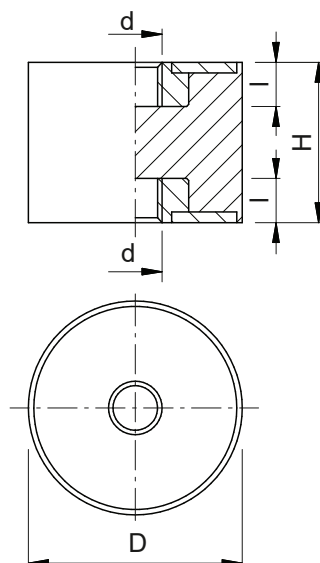
* Indicates the maximum load that can be supported before its functionality is compromised. The load must be compressive - avoid applying traction.

** Indicates the height variation of the rubber under maximum load.

Available in other materials, hardnesses, dimensions, and colours.



Code 	D (±1)	H (±1)	D1	L (±1)	d	l (±1)	Max load (daN) *	Deflection (mm) **	Package (pcs)
AF26040401028	40	40	M10	28	M10	10	95	6	25
AF26040500823	40	50	M8	23	M8	8	90	7,50	25
AF26040501028	40	50	M10	28	M10	10	90	7,50	25
AF26050151028	50	15	M10	28	M10	10	200	2,25	25
AF26050201028	50	20	M10	28	M10	10	180	3	25
AF26050251028	50	25	M10	28	M10	10	167	3,75	25
AF26050301028	50	30	M10	28	M10	10	167	4,50	25
AF26050401028	50	40	M10	28	M10	10	153	6	25
AF26050451028	50	45	M10	28	M10	10	144	6,75	25
AF26050501028	50	50	M10	28	M10	10	135	7,50	25
AF26060201237	60	20	M12	37	M12	12	240	3	10
AF26060251237	60	25	M12	37	M12	12	230	3,75	10
AF26060301237	60	30	M12	37	M12	12	225	4,50	10
AF26060401237	60	40	M12	37	M12	12	218	6	10
AF26060451237	60	45	M12	37	M12	12	214	6,75	10
AF26060501237	60	50	M12	37	M12	12	210	7,50	10
AF26075251237	75	25	M12	37	M12	12	330	3,75	10
AF26075301237	75	30	M12	37	M12	12	320	4,50	10
AF26075401237	75	40	M12	37	M12	12	300	6	10
AF26075451237	75	45	M12	37	M12	12	290	6,75	10
AF26075501237	75	50	M12	37	M12	12	270	7,50	10
AF26075551237	75	55	M12	37	M12	12	260	8,25	10
AF260A0251647	100	25	M16	47	M16	15	650	3,75	5
AF260A0301647	100	30	M16	47	M16	15	640	4,50	5
AF260A0401647	100	40	M16	47	M16	15	630	6	5
AF260A0451647	100	45	M16	47	M16	15	620	6,75	5
AF260A0501647	100	50	M16	47	M16	15	600	7,50	5
AF260A0551647	100	55	M16	47	M16	15	599	8,25	5
AF260A0601647	100	60	M16	47	M16	15	595	9	5
AF260A0A01647	100	100	M16	47	M16	15	570	15	5
AF260C5551647	125	55	M16	47	M16	15	780	8,25	5
AF260C5751647	125	75	M16	47	M16	15	770	11,25	5
AF260C5A01647	125	100	M16	47	M16	15	765	15	5
AF260C5C51647	125	125	M16	47	M16	15	750	18,75	5
AF260F0502047	150	50	M20	47	M20	18	1120	7,50	5
AF260F0752047	150	75	M20	47	M20	18	1050	11,25	5
AF260F0A02047	150	100	M20	47	M20	18	990	15	5
AF260F0F02047	150	150	M20	47	M20	18	970	22,50	5
AF260K0A02447	200	100	M24	47	M24	20	1800	15	1

**STANDARD**

DIN 95363/C

MATERIAL - SURFACE TREATMENT

Body: NR (Natural rubber)
Washer: DD11 (Steel) white galvanized
Bushing: Cl 4 (Steel) white galvanized

COLOUR

Black

RUBBER HARDNESS60 Shore A (± 5)**OPERATING TEMPERATURE** $-50^{\circ}\text{C} \div 80^{\circ}\text{C}$ **NOTES**

* Indicates the maximum load that can be supported before its functionality is compromised. The load must be compressive - avoid applying traction.

** Indicates the height variation of the rubber under maximum load.

Available in other materials, hardnesses, dimensions, and colours.

Code NE	D (± 1)	H (± 1)	d	l (± 1)	Max load (daN) *	Deflection (mm) **	Package (pcs)
AF36006070303	6	7	M3	3	3	1,05	100
AF36010100404	10	10	M4	4	13	1,50	50
AF36010100505	10	10	M5	5	13	1,50	50
AF36015100404	15	10	M4	4	23	1,50	50
AF36015100505	15	10	M5	5	23	1,50	50
AF36015150404	15	15	M4	4	23	2,25	50
AF36015150505	15	15	M5	5	23	2,25	50
AF36015200404	15	20	M4	4	21	3	50
AF36015200505	15	20	M5	5	21	3	50
AF36020090606	20	9	M6	6	44	1,35	50
AF36020100606	20	10	M6	6	44	1,50	50
AF36020150606	20	15	M6	6	42	2,25	50
AF36020200606	20	20	M6	6	40	3	50
AF36020250606	20	25	M6	6	36	3,75	50
AF36020300606	20	30	M6	6	34	4,50	50
AF36025100606	25	10	M6	6	60	1,50	50
AF36025150606	25	15	M6	6	58	2,25	50
AF36025170606	25	17	M6	6	58	2,55	50
AF36025200606	25	20	M6	6	54	3	50
AF36025250606	25	25	M6	6	50	3,75	50
AF36025300606	25	30	M6	6	42	4,50	50
AF36025400606	25	40	M6	6	35	6	50
AF36030100808	30	10	M8	8	80	1,50	25
AF36030150808	30	15	M8	8	78	2,25	25
AF36030200808	30	20	M8	8	77	3	25
AF36030250808	30	25	M8	8	75	3,75	25
AF36030300808	30	30	M8	8	70	4,50	25
AF36030400808	30	40	M8	8	68	6	25
AF36030500808	30	50	M8	8	65	7,50	25
AF36040150808	40	15	M8	8	150	2,25	25
AF36040151010	40	15	M10	10	150	2,25	25
AF36040200808	40	20	M8	8	145	3	25
AF36040201010	40	20	M10	10	145	3	25
AF36040250808	40	25	M8	8	140	3,75	25
AF36040251010	40	25	M10	10	140	3,75	25
AF36040300808	40	30	M8	8	138	4,50	25
AF36040301010	40	30	M10	10	138	4,50	25
AF36040350808	40	35	M8	8	130	5,25	25
AF36040351010	40	35	M10	10	130	5,25	25
AF36040400808	40	40	M8	8	115	6	25

STANDARD
DIN 95363/C

MATERIAL - SURFACE TREATMENT

Body: NR (Natural rubber)
Washer: DD11 (Steel) white galvanized
Bushing: CI 4 (Steel) white galvanized

COLOUR

NE Black

RUBBER HARDNESS

60 Shore A (±5)

OPERATING TEMPERATURE

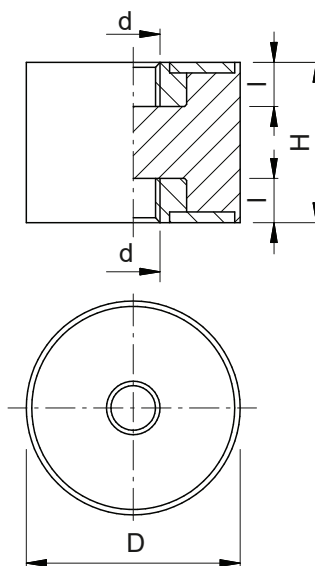
-50°C ÷ 80°C

NOTES

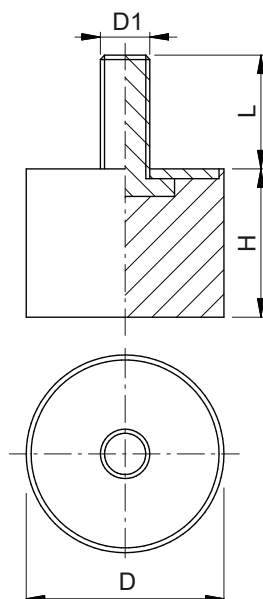
* Indicates the maximum load that can be supported before its functionality is compromised. The load must be compressive - avoid applying traction.

** Indicates the height variation of the rubber under maximum load.

Available in other materials, hardnesses, dimensions, and colours.



Code NE	D (±1)	H (±1)	d	I (±1)	Max load (daN) *	Deflection (mm) **	Package (pcs)
AF36040401010	40	40	M10	10	115	6	25
AF36040500808	40	50	M8	8	110	7,50	25
AF36040501010	40	50	M10	10	110	7,50	25
AF36050151010	50	15	M10	10	220	2,25	25
AF36050201010	50	20	M10	10	200	3	25
AF36050251010	50	25	M10	10	187	3,75	25
AF36050301010	50	30	M10	10	181	4,50	25
AF36050401010	50	40	M10	10	168	6	25
AF36050451010	50	45	M10	10	163	6,75	25
AF36050501010	50	50	M10	10	152	7,50	25
AF36060201212	60	20	M12	12	270	3	10
AF36060251212	60	25	M12	12	265	3,75	10
AF36060301212	60	30	M12	12	260	4,50	10
AF36060401212	60	40	M12	12	241	6	10
AF36060451212	60	45	M12	12	234	6,75	10
AF36060501212	60	50	M12	12	227	7,50	10
AF36075251212	75	25	M12	12	340	3,75	10
AF36075301212	75	30	M12	12	330	4,50	10
AF36075401212	75	40	M12	12	312	6	10
AF36075451212	75	45	M12	12	299	6,75	10
AF36075501212	75	50	M12	12	280	7,50	10
AF36075551212	75	55	M12	12	270	8,25	10
AF360A0251615	100	25	M16	15	770	3,75	5
AF360A0301615	100	30	M16	15	760	4,50	5
AF360A0401615	100	40	M16	15	750	6	5
AF360A0451615	100	45	M16	15	740	6,75	5
AF360A0501615	100	50	M16	15	720	7,50	5
AF360A0551615	100	55	M16	15	718	8,25	5
AF360A0601615	100	60	M16	15	710	9	5
AF360A0A01615	100	100	M16	15	656	15	5
AF360C5551615	125	55	M16	15	815	8,25	5
AF360C5751615	125	75	M16	15	810	11,25	5
AF360C5A01615	125	100	M16	15	805	15	5
AF360C5C51615	125	125	M16	15	800	18,75	5
AF360F0502018	150	50	M20	18	1130	7,50	5
AF360F0752018	150	75	M20	18	1100	11,25	5
AF360F0A02018	150	100	M20	18	1000	15	5
AF360F0F02018	150	150	M20	18	995	22,50	5
AF360K0A02420	200	100	M24	20	1800	15	1

**STANDARD**

DIN 95364/A

MATERIAL - SURFACE TREATMENT

Body: NR (Natural rubber)
Pin: Cl 4.8 (Steel) white galvanized
Washer: DD11 (Steel) white galvanized

COLOUR

Black

RUBBER HARDNESS60 Shore A (± 5)**OPERATING TEMPERATURE** $-50^{\circ}\text{C} \div 80^{\circ}\text{C}$ **NOTES**

* Indicates the maximum load that can be supported before its functionality is compromised. The load must be compressive - avoid applying traction.

** Indicates the height variation of the rubber under maximum load.

Available in other materials, hardnesses, dimensions, and colours.

Code 	D (± 1)	H (± 1)	D1	L (± 1)	Max load (daN) *	Deflection (mm) **	Package (pcs)
AF46006070310	6	7	M3	10	2	1,05	100
AF46010100415	10	10	M4	15	8	1,50	50
AF46010100515	10	10	M5	15	8	1,50	50
AF46015100415	15	10	M4	15	11	1,50	50
AF46015100515	15	10	M5	15	11	1,50	50
AF46015150415	15	15	M4	15	10	2,25	50
AF46015150515	15	15	M5	15	10	2,25	50
AF46015200415	15	20	M4	15	9	3	50
AF46015200515	15	20	M5	15	9	3	50
AF46020090618	20	9	M6	18	26	1,35	50
AF46020100618	20	10	M6	18	25	1,50	50
AF46020150618	20	15	M6	18	21	2,25	50
AF46020200618	20	20	M6	18	20	3	50
AF46020250618	20	25	M6	18	19	3,75	50
AF46020300618	20	30	M6	18	18	4,50	50
AF46025100623	25	10	M6	23	32	1,50	50
AF46025150623	25	15	M6	23	31	2,25	50
AF46025170623	25	17	M6	23	31	2,55	50
AF46025200623	25	20	M6	23	30	3	50
AF46025250623	25	25	M6	23	30	3,75	50
AF46025300623	25	30	M6	23	29	4,50	50
AF46025400623	25	40	M6	23	26	6	50
AF46030100823	30	10	M8	23	50	1,50	25
AF46030150823	30	15	M8	23	48	2,25	25
AF46030200823	30	20	M8	23	45	3	25
AF46030250823	30	25	M8	23	43	3,75	25
AF46030300823	30	30	M8	23	41	4,50	25
AF46030400823	30	40	M8	23	40	6	25
AF46030500823	30	50	M8	23	35	7,50	25
AF46040150823	40	15	M8	23	90	2,25	25
AF46040151028	40	15	M10	28	90	2,25	25
AF46040200823	40	20	M8	23	80	3	25
AF46040201028	40	20	M10	28	85	3	25
AF46040250823	40	25	M8	23	79	3,75	25
AF46040251028	40	25	M10	28	83	3,75	25
AF46040300823	40	30	M8	23	78	4,50	25
AF46040301028	40	30	M10	28	80	4,50	25
AF46040350823	40	35	M8	23	78	5,25	25
AF46040351028	40	35	M10	28	80	5,25	25
AF46040400823	40	40	M8	23	75	6	25

STANDARD
DIN 95364/A

MATERIAL - SURFACE TREATMENT

Body: NR (Natural rubber)
Pin: CI 4.8 (Steel) white galvanized
Washer: DD11 (Steel) white galvanized

COLOUR

NE Black

RUBBER HARDNESS

60 Shore A (±5)

OPERATING TEMPERATURE

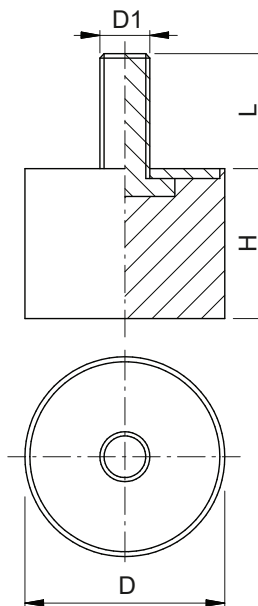
-50°C ÷ 80°C

NOTES

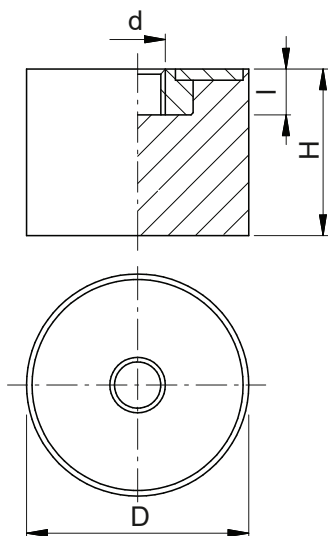
* Indicates the maximum load that can be supported before its functionality is compromised. The load must be compressive - avoid applying traction.

** Indicates the height variation of the rubber under maximum load.

Available in other materials, hardnesses, dimensions, and colours.



Code NE	D (±1)	H (±1)	D1	L (±1)	Max load (daN) *	Deflection (mm) **	Package (pcs)
AF46040401028	40	40	M10	28	75	6	25
AF46040500823	40	50	M8	23	69	7,50	25
AF46040501028	40	50	M10	28	69	7,50	25
AF46050151028	50	15	M10	28	120	2,25	25
AF46050201028	50	20	M10	28	110	3	25
AF46050251028	50	25	M10	28	100	3,75	25
AF46050301028	50	30	M10	28	98	4,50	25
AF46050401028	50	40	M10	28	97	6	25
AF46050451028	50	45	M10	28	95	6,75	25
AF46050501028	50	50	M10	28	90	7,50	25
AF46060201237	60	20	M12	37	163	3	10
AF46060251237	60	25	M12	37	150	3,75	10
AF46060301237	60	30	M12	37	140	4,50	10
AF46060401237	60	40	M12	37	138	6	10
AF46060451237	60	45	M12	37	135	6,75	10
AF46060501237	60	50	M12	37	135	7,50	10
AF46075251237	75	25	M12	37	240	3,75	10
AF46075301237	75	30	M12	37	235	4,50	10
AF46075401237	75	40	M12	37	230	6	10
AF46075451237	75	45	M12	37	220	6,75	10
AF46075501237	75	50	M12	37	215	7,50	10
AF46075551237	75	55	M12	37	200	8,25	10
AF460A0251647	100	25	M16	47	340	3,75	5
AF460A0301647	100	30	M16	47	330	4,50	5
AF460A0401647	100	40	M16	47	325	6	5
AF460A0451647	100	45	M16	47	320	6,75	5
AF460A0501647	100	50	M16	47	315	7,50	5
AF460A0551647	100	55	M16	47	310	8,25	5
AF460A0601647	100	60	M16	47	305	9	5
AF460A0A01647	100	100	M16	47	300	15	5
AF460C5551647	125	55	M16	47	510	8,25	5
AF460C5751647	125	75	M16	47	510	11,25	5
AF460C5A01647	125	100	M16	47	500	15	5
AF460C5C51647	125	125	M16	47	495	18,75	5
AF460F0502047	150	50	M20	47	790	7,50	5
AF460F0752047	150	75	M20	47	780	11,25	5
AF460F0A02047	150	100	M20	47	770	15	5
AF460F0F02047	150	150	M20	47	750	22,50	5
AF460K0A02447	200	100	M24	47	1800	15	1

**STANDARD**

DIN 95364/C

MATERIAL - SURFACE TREATMENT

Body: NR (Natural rubber)
Washer: DD11 (Steel) white galvanized
Bushing: Cl 4 (Steel) white galvanized

COLOUR

Black

RUBBER HARDNESS60 Shore A (± 5)**OPERATING TEMPERATURE** $-50^{\circ}\text{C} \div 80^{\circ}\text{C}$ **NOTES**

* Indicates the maximum load that can be supported before its functionality is compromised. The load must be compressive - avoid applying traction.

** Indicates the height variation of the rubber under maximum load.

Available in other materials, hardnesses, dimensions, and colours.

Code 	D (± 1)	H (± 1)	d	l (± 1)	Max load (daN) *	Deflection (mm) **	Package (pcs)
AF56006070303	6	7	M3	3	2	1,05	100
AF56010100404	10	10	M4	4	8	1,50	50
AF56010100505	10	10	M5	5	8	1,50	50
AF56015100404	15	10	M4	4	12	1,50	50
AF56015100505	15	10	M5	5	12	1,50	50
AF56015150404	15	15	M4	4	11	2,25	50
AF56015150505	15	15	M5	5	11	2,25	50
AF56015200404	15	20	M4	4	10	3	50
AF56015200505	15	20	M5	5	10	3	50
AF56020100606	20	10	M6	6	29	1,50	50
AF56020150606	20	15	M6	6	24	2,25	50
AF56020200606	20	20	M6	6	22	3	50
AF56020250606	20	25	M6	6	20	3,75	50
AF56020300606	20	30	M6	6	19	4,50	50
AF56025100606	25	10	M6	6	34	1,50	50
AF56025150606	25	15	M6	6	33	2,25	50
AF56025170606	25	17	M6	6	33	2,55	50
AF56025200606	25	20	M6	6	31	3	50
AF56025250606	25	25	M6	6	31	3,75	50
AF56025300606	25	30	M6	6	30	4,50	50
AF56025400606	25	40	M6	6	28	6	50
AF56030100808	30	10	M8	8	52	1,50	25
AF56030150808	30	15	M8	8	50	2,25	25
AF56030200808	30	20	M8	8	48	3	25
AF56030250808	30	25	M8	8	45	3,75	25
AF56030300808	30	30	M8	8	43	4,50	25
AF56030400808	30	40	M8	8	42	6	25
AF56030500808	30	50	M8	8	40	7,50	25
AF56040150808	40	15	M8	8	93	2,25	25
AF56040151010	40	15	M10	10	95	2,25	25
AF56040200808	40	20	M8	8	83	3	25
AF56040201010	40	20	M10	10	90	3	25
AF56040250808	40	25	M8	8	82	3,75	25
AF56040251010	40	25	M10	10	85	3,75	25
AF56040300808	40	30	M8	8	82	4,50	25
AF56040301010	40	30	M10	10	84	4,50	25
AF56040350808	40	35	M8	8	82	5,25	25
AF56040351010	40	35	M10	10	83	5,25	25
AF56040400808	40	40	M8	8	80	6	25
AF56040401010	40	40	M10	10	82	6	25



STANDARD
DIN 95364/C

MATERIAL - SURFACE TREATMENT

Body: NR (Natural rubber)
Washer: DD11 (Steel) white galvanized
Bushing: CI 4 (Steel) white galvanized

COLOUR

NE Black

RUBBER HARDNESS

60 Shore A (±5)

OPERATING TEMPERATURE

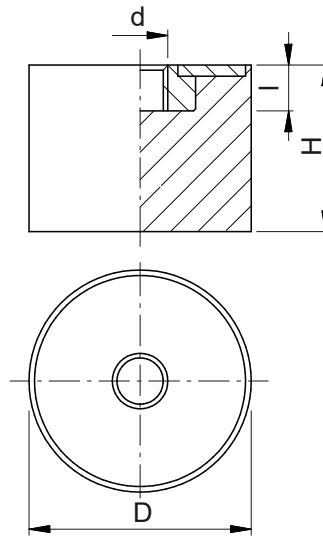
-50°C ÷ 80°C

NOTES

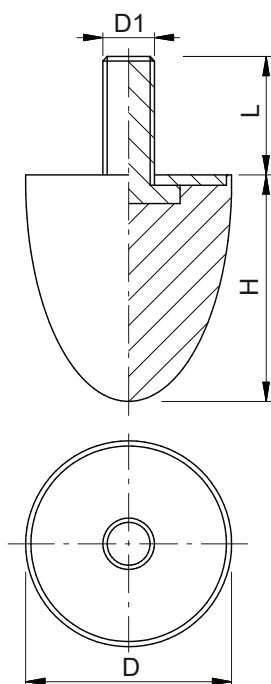
* Indicates the maximum load that can be supported before its functionality is compromised. The load must be compressive - avoid applying traction.

** Indicates the height variation of the rubber under maximum load.

Available in other materials, hardnesses, dimensions, and colours.



Code NE	D (±1)	H (±1)	d	l (±1)	Max load (daN) *	Deflection (mm) **	Package (pcs)
AF56040500808	40	50	M8	8	75	7,50	25
AF56040501010	40	50	M10	10	78	7,50	25
AF56050151010	50	15	M10	10	126	2,25	25
AF56050201010	50	20	M10	10	116	3	25
AF56050251010	50	25	M10	10	110	3,75	25
AF56050301010	50	30	M10	10	101	4,50	25
AF56050401010	50	40	M10	10	100	6	25
AF56050451010	50	45	M10	10	99	6,75	25
AF56050501010	50	50	M10	10	95	7,50	25
AF56060201212	60	20	M12	12	172	3	10
AF56060251212	60	25	M12	12	163	3,75	10
AF56060301212	60	30	M12	12	151	4,50	10
AF56060401212	60	40	M12	12	148	6	10
AF56060451212	60	45	M12	12	145	6,75	10
AF56060501212	60	50	M12	12	140	7,50	10
AF56075251212	75	25	M12	12	251	3,75	10
AF56075301212	75	30	M12	12	245	4,50	10
AF56075401212	75	40	M12	12	240	6	10
AF56075451212	75	45	M12	12	240	6,75	10
AF56075501212	75	50	M12	12	240	7,50	10
AF56075551212	75	55	M12	12	220	8,25	10
AF560A0251615	100	25	M16	15	363	3,75	5
AF560A0301615	100	30	M16	15	354	4,50	5
AF560A0401615	100	40	M16	15	343	6	5
AF560A0451615	100	45	M16	15	333	6,75	5
AF560A0501615	100	50	M16	15	325	7,50	5
AF560A0551615	100	55	M16	15	321	8,25	5
AF560A0601615	100	60	M16	15	320	9	5
AF560A0A01615	100	100	M16	15	318	15	5
AF560C5551615	125	55	M16	15	531	8,25	5
AF560C5751615	125	75	M16	15	531	11,25	5
AF560C5A01615	125	100	M16	15	520	15	5
AF560C5C51615	125	125	M16	15	518	18,75	5
AF560F0502018	150	50	M20	18	810	7,50	5
AF560F0752018	150	75	M20	18	800	11,25	5
AF560F0A02018	150	100	M20	18	790	15	5
AF560F0F02018	150	150	M20	18	775	22,50	5
AF560K0A02420	200	100	M24	20	1800	15	1

**STANDARD**

DIN 95364/F

MATERIAL - SURFACE TREATMENT

Body: NR (Natural rubber)
Pin: Cl 4.8 (Steel) white galvanized
Washer: DD11 (Steel) white galvanized

COLOUR

Black

RUBBER HARDNESS60 Shore A (± 5)**OPERATING TEMPERATURE**

-50°C ÷ 80°C

NOTES

* Indicates the maximum load that can be supported before its functionality is compromised. The load must be compressive - avoid applying traction.

** Indicates the height variation of the rubber under maximum load.

Available in other materials, hardnesses, dimensions, and colours.

Code 	D (± 1)	H (± 1)	D1	L (± 1)	Max load (daN) *	Deflection (mm) **	Package (pcs)
AF76020240618	20	24	M6	18	40	10	50
AF76025200618	25	20	M6	18	120	10	50
AF76030150616	30	15	M6	18	120	10	25
AF76030150823	30	15	M8	23	120	10	25
AF76030300823	30	30	M8	23	150	15	25
AF76030360823	30	36	M8	23	150	20	25
AF76040300823	40	30	M8	23	210	15	25
AF76040600823	40	60	M8	23	280	25	25
AF76050501028	50	50	M10	28	400	30	25
AF76050581028	50	58	M10	28	400	35	25
AF76050670823	50	67	M8	23	300	30	25
AF76050671028	50	67	M10	28	300	30	25
AF76060601237	60	60	M12	37	229,2	12	10
AF76075891237	75	89	M12	37	800	50	10
AF76095891647	95	80	M16	47	1100	40	10
AF760A0831647	100	83	M16	47	1300	40	5

STANDARD
DIN 95364/E

MATERIAL - SURFACE TREATMENT

Body: NR (Natural rubber)
Washer: DD11 (Steel) white galvanized
Bushing: Cl 4 (Steel) white galvanized

COLOUR

NE Black

RUBBER HARDNESS

60 Shore A (±5)

OPERATING TEMPERATURE

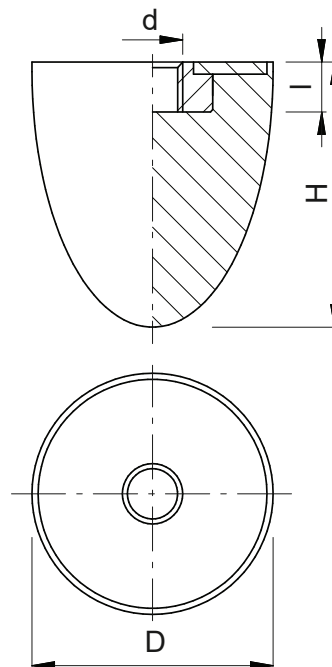
-50°C ÷ 80°C

NOTES

* Indicates the maximum load that can be supported before its functionality is compromised. The load must be compressive - avoid applying traction.

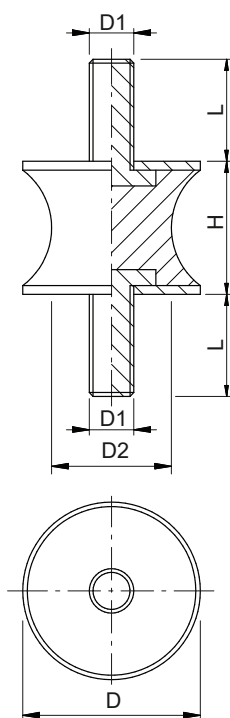
** Indicates the height variation of the rubber under maximum load.

Available in other materials, hardnesses, dimensions, and colours.



Code NE	D (±1)	H (±1)	d	l (±1)	Max load (daN) *	Deflection (mm) **	Package (pcs)
AF86020240606	20	24	M6	6	40	10	50
AF86025200606	25	20	M6	6	120	10	50
AF86030150606	30	15	M6	6	120	10	25
AF86030150808	30	15	M8	8	120	10	25
AF86030300808	30	30	M8	8	150	15	25
AF86030360808	30	36	M8	8	150	20	25
AF86040300808	40	30	M8	8	210	15	25
AF86040600808	40	60	M8	8	280	25	25
AF86050501010	50	50	M10	10	400	30	25
AF86050581010	50	58	M10	10	400	35	25
AF86050670808	50	67	M8	8	300	30	25
AF86050671010	50	67	M10	10	300	30	25
AF86060601212	60	60	M12	12	229,2	12	10
AF86075891212	75	89	M12	12	800	50	10
AF86095891616	95	80	M16	16	1100	40	10
AF860A0831616	100	83	M16	16	1300	40	5

1
2
3
4
5
6
7
8
9
10
11
12
13
14
15
16
17
18
19
20

**STANDARD**

DIN 95363/D

MATERIAL - SURFACE TREATMENT

Body: NR (Natural rubber)
Pin: Cl 4.8 (Steel) white galvanized
Washer: DD11 (Steel) white galvanized

COLOUR

Black

RUBBER HARDNESS60 Shore A (± 5)**OPERATING TEMPERATURE** $-50^{\circ}\text{C} \div 80^{\circ}\text{C}$ **NOTES**

* Indicates the maximum load that can be supported before its functionality is compromised. The load must be compressive - avoid applying traction.

** Indicates the height variation of the rubber under maximum load.

Available in other materials, hardnesses, dimensions, and colours.

Code 	D (± 1)	H (± 1)	D1	L (± 1)	D2 (± 1)	Max load (daN) *	Deflection (mm) **	Package (pcs)
AFF6010180410	10	10	M4	10	8	3	2	50
AFF6025200618	25	20	M6	18	10	16,8	4	50
AFF6025270618	25	20	M6	18	17	29,2	4	50
AFF6030200823	30	20	M8	23	20	38,4	4	25
AFF6030240823	30	20	M8	23	24	40,4	4	25
AFF6040390823	40	30	M8	23	19	37,2	6	25
AFF6040391028	40	30	M10	28	19	37,2	6	25
AFF6040370823	40	30	M8	23	27	63	6	25
AFF6040371028	40	30	M10	28	27	63	6	25
AFF6050381028	50	30	M10	28	28	190,2	6	25
AFF6050391028	50	30	M10	28	39	222	6	25
AFF6075401237	75	40	M12	37	55	72	8	10
AFF6080601237	80	60	M12	37	60	530,4	12	10



STANDARD
DIN 95363/E

MATERIAL - SURFACE TREATMENT

Body: NR (Natural rubber)
Pin: CI 4.8 (Steel) white galvanized
Washer: DD11 (Steel) white galvanized
Bushing: CI 4 (Steel) white galvanized

COLOUR

Black

RUBBER HARDNESS

60 Shore A (±5)

OPERATING TEMPERATURE

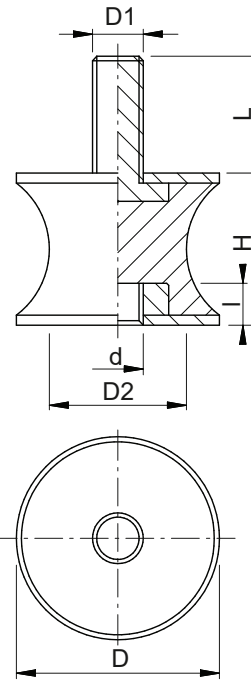
-50°C ÷ 80°C

NOTES

* Indicates the maximum load that can be supported before its functionality is compromised. The load must be compressive - avoid applying traction.

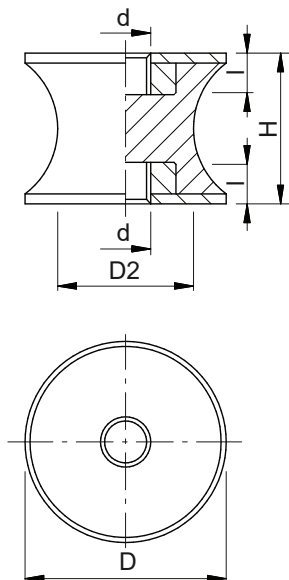
** Indicates the height variation of the rubber under maximum load.

Available in other materials, hardnesses, dimensions, and colours.



Code 	D (±1)	H (±1)	D1	L (±1)	d	I (±1)	D2 (±1)	Max load (daN) *	Deflection (mm) **	Package (pcs)
AFG6010180410	10	10	M4	10	M4	4	8	3,1	2	50
AFG6025200618	25	20	M6	18	M6	6	10	17,1	4	50
AFG6025270618	25	20	M6	18	M6	6	17	29,8	4	50
AFG6030200823	30	20	M8	23	M8	8	20	6,1	4	25
AFG6030240823	30	20	M8	23	M8	8	24	6,1	4	25
AFG6040390823	40	30	M8	23	M8	8	19	37,9	6	25
AFG6040391028	40	30	M10	28	M10	10	19	37,9	6	25
AFG6040370823	40	30	M8	23	M8	8	27	64,3	6	25
AFG6040371028	40	30	M10	28	M10	10	27	64,3	6	25
AFG6050381028	50	30	M10	28	M10	10	28	194	6	25
AFG6050391028	50	30	M10	28	M10	10	39	226,4	6	25
AFG6075401237	75	40	M12	37	M12	12	55	73,4	8	10
AFG6080601237	80	60	M12	37	M12	12	60	541	12	10

1
2
3
4
5
6
7
8
9
10
11
12
13
14
15
16
17
18
19
20

**STANDARD**

DIN 95363/F

MATERIAL - SURFACE TREATMENT

Body: NR (Natural rubber)
Washer: DD11 (Steel) white galvanized
Bushing: Cl 4 (Steel) white galvanized

COLOUR

Black

RUBBER HARDNESS60 Shore A (± 5)**OPERATING TEMPERATURE** $-50^{\circ}\text{C} \div 80^{\circ}\text{C}$ **NOTES**

* Indicates the maximum load that can be supported before its functionality is compromised. The load must be compressive - avoid applying traction.

** Indicates the height variation of the rubber under maximum load.

Available in other materials, hardnesses, dimensions, and colours.

Code 	D (± 1)	H (± 1)	d	l (± 1)	D2 (± 1)	Max load (daN) *	Deflection (mm) **	Package (pcs)
AFH6010180404	10	10	M4	4	8	3,1	2	50
AFH6025200606	25	20	M6	6	10	17,5	4	50
AFH6025270606	25	20	M6	6	17	30,4	4	50
AFH6030200808	30	20	M8	8	20	6,2	4	25
AFH6030240808	30	20	M8	8	24	6,2	4	25
AFH6040390808	40	30	M8	8	19	38,7	6	25
AFH6040391010	40	30	M10	10	19	38,7	6	25
AFH6040370808	40	30	M8	8	27	65,5	6	25
AFH6040371010	40	30	M10	10	27	65,5	6	25
AFH6050381010	50	30	M10	10	28	197,9	6	25
AFH6050391010	50	30	M10	10	39	231	6	25
AFH6075401212	75	40	M12	12	55	74,9	8	10
AFH6080601212	80	60	M12	12	60	551,8	12	10



MATERIAL - SURFACE TREATMENT

Body: NR (Natural rubber)
Bell: AC (Steel) white galvanized
Base: AC (Steel) white galvanized

COLOUR

NE Black

RUBBER HARDNESS

60 Shore A (± 5)

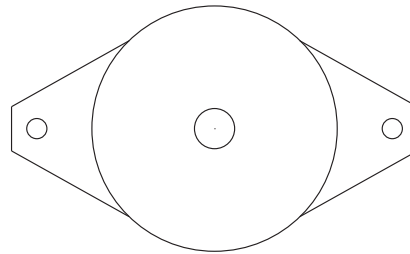
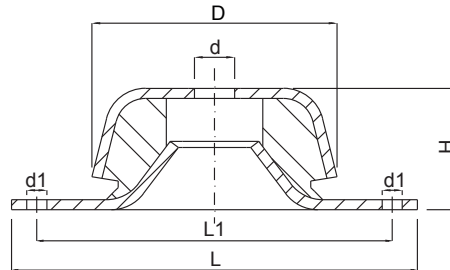
OPERATING TEMPERATURE

$-50^{\circ}\text{C} \div 80^{\circ}\text{C}$

NOTES

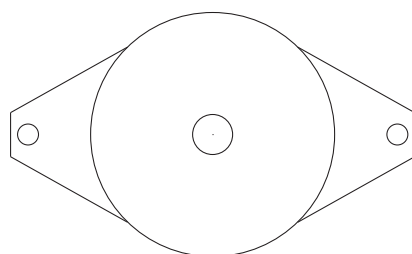
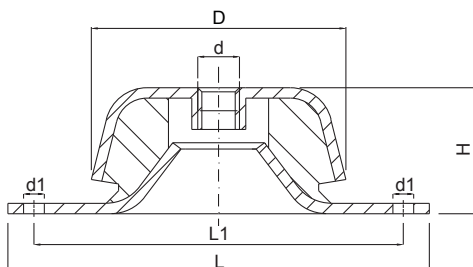
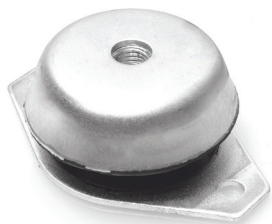
* Indicates the maximum load that can be supported before its functionality is compromised. The load must be compressive - avoid applying traction.

Available in other materials, hardnesses, dimensions, and colours.



Code NE	D (± 1)	H (± 1)	d	d1	L (± 1)	L1 (± 1)	Max load (daN) *	Package (pcs)
AFB6004800820	48	23	8,2	6,2	88	68	90	100
AFB6006201020	62	30	10,2	8,2	100	85	225	100
AFB6009201620	92	45	16,2	10,2	130	108	490	50
AFB6011402420	114	50	24,2	16,2	190	160	690	25

1
2
3
4
5
6
7
8
9
10
11
12
13
14
15
16
17
18
19
20



MATERIAL - SURFACE TREATMENT

Body:	NR (Natural rubber)
Bell:	AC (Steel) white galvanized
Base:	AC (Steel) white galvanized
Bushing:	Cl 4 (Steel) white galvanized

COLOUR

Black

RUBBER HARDNESS

60 Shore A (± 5)

OPERATING TEMPERATURE

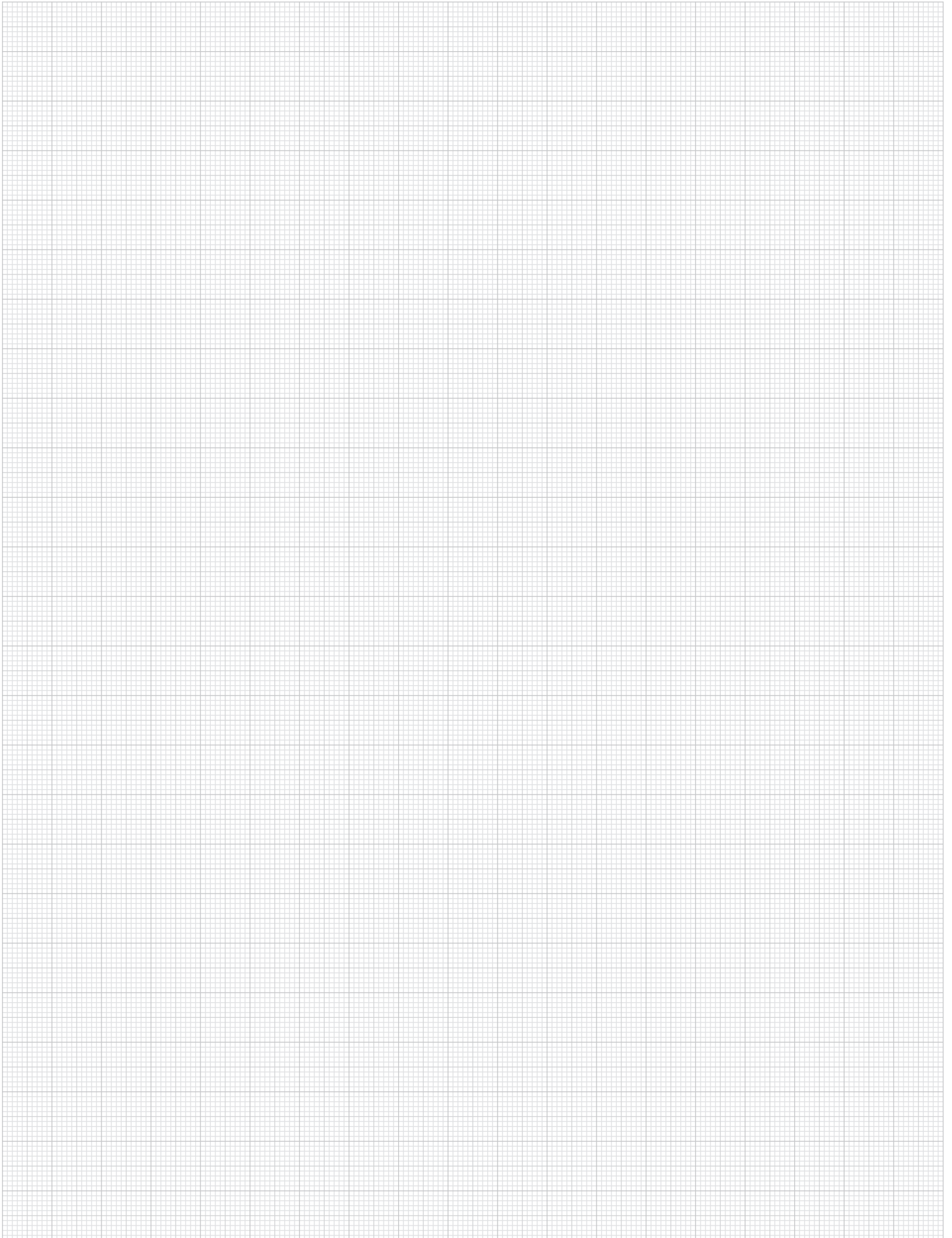
$-50^{\circ}\text{C} \div 80^{\circ}\text{C}$

NOTES

* Indicates the maximum load that can be supported before its functionality is compromised. The load must be compressive - avoid applying traction.

Available in other materials, hardnesses, dimensions, and colours.

Code 	D (± 1)	H (± 1)	d	d1	L (± 1)	L1 (± 1)	Max load (daN) *	Package (pcs)
AFA6004800800	48	23	M8	6,2	88	68	90	100
AFA6006201000	62	30	M10	8,2	100	85	225	100
AFA6006201200	62	30	M12	8,2	100	85	225	100
AFA6009201200	92	45	M12	10,2	130	108	490	50
AFA6009201400	92	45	M14	10,2	130	108	490	50
AFA6009201600	92	45	M16	10,2	130	108	490	50
AFA6011401600	114	50	M16	16,2	190	160	690	25



1
2
3
4
5
6
7
8
9
10
11
12
13
14
15
16
17
18
19
20